



Bulletin No. BCD/93 (UK)

# Spring-Flex Mountings

## Series B/C/D



Effective Vibration Control

Four Types Eight Sizes

Load Range 60 to 26,000 Pounds

Static Deflection to 2"

Built-in Leveling Device

Quickly and Easily Installed

### Typical Applications

Air Handling Units Air Conditioners Chillers

Compressors Condensers Fans Pumps

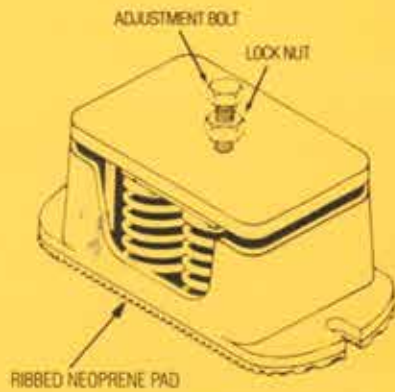
Heating & Ventilating Units

### To Specify:

Spring-flex mountings shall consist of a telescoping housing containing one or more steel springs as the isolating medium. Isolators shall include resilient inserts to act as upper and lower housing guides, and to prevent metal-to-metal contact providing elastomeric snubbing for side loads. A replaceable neoprene acoustical non-skid pad shall be attached to the bottom of the housing. Mountings shall have built-in levelling bolts. Springs shall have a minimum additional travel to solid equal to 50% of the rated deflection. Springs shall be colour coded for proper identification of rated load capacity. Springs shall be coated with a polyester epoxy powder. Hardware shall be stainless steel or zinc plated. Spring-Flex mountings shall be series B, C, or D, as manufactured by VMC. VMC products shall be supplied by EMTEC Products Limited.

## Mounting Types Available

VMC Series B/C/D Spring-Flex Mountings are available in cast steel or welded steel construction in eight sizes and load ranges from 60 (27.2 Kg) to 26,000 (11,793.6 Kg) pounds. Series B and C are designed for average static deflections of 1" (25.4 mm) and series D provides 2" (50.8 mm) deflection. Series B, C-1 and C-2 are also available in light weight cast aluminum housings with electro-plated hardware and springs.



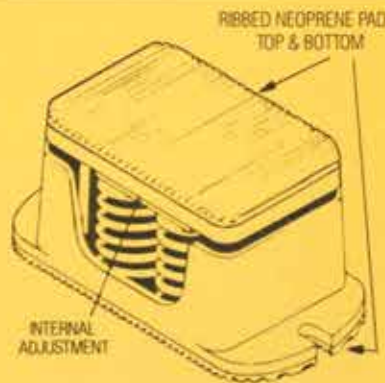
### BE/CE/DE

These mountings are furnished with external adjustment bolt and lock nut for use on equipment with centrally located accessible bolt holes.



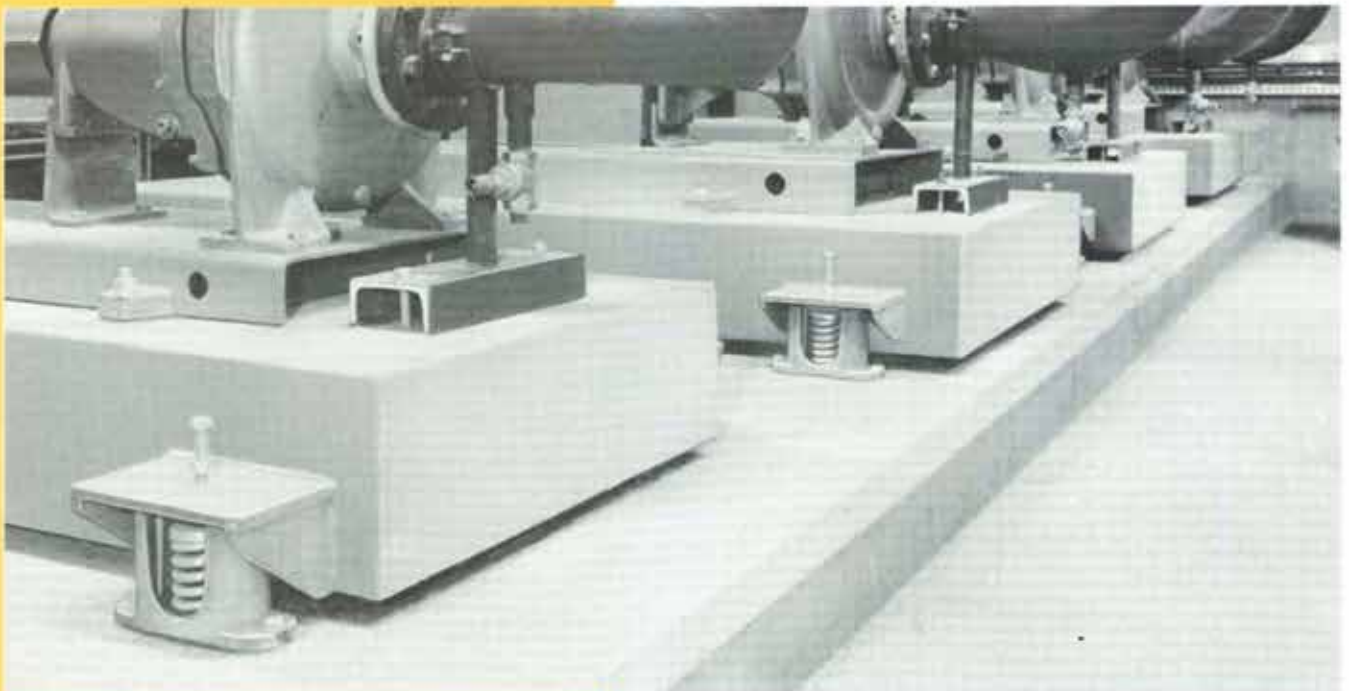
### BP/CP/DP

These mountings are furnished with internal adjustment bolt and centrally located positioning pin. They are used when clearance above equipment bolt hole is insufficient for external adjustment bolt.



### BT/CT/DT

These mountings are furnished with internal adjustment bolt and non-skid ribbed neoprene pads bonded to top and bottom of housing. They are used under equipment and concrete foundations where bolting is not required. They can also be furnished with off-set tapped hole in top plate in lieu of top neoprene pad, designate as type BV, CV, or DV.



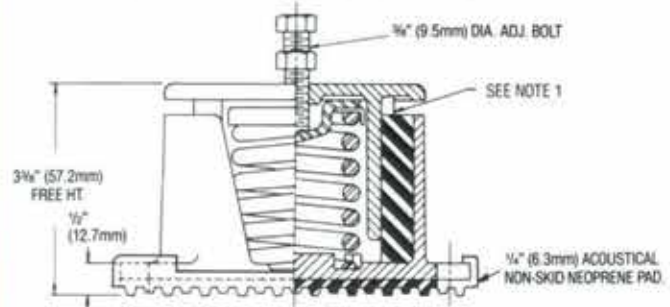
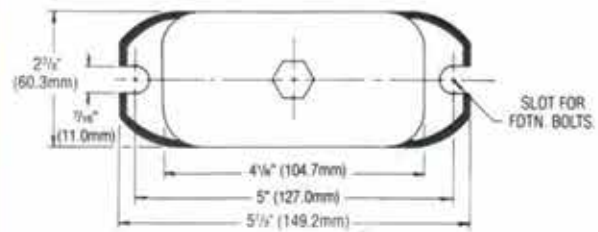




## TYPE BE

Type & Size	Max. Load, lbs. (Kg)	Spring Color	Defl., ins. (mm)
BE-11	60 (27.2)	Blue	1.3 (33.0)
BE-12	100 (45.3)	Orange	1.3 (33.0)
BE-13	165 (74.8)	Brown	1.2 (30.4)
BE-14	260 (117.9)	Black	1.0 (25.4)
BE-16	370 (167.8)	Yellow	0.8 (20.3)
BE-17	450 (204.1)	Red	0.5 (12.7)
BE-18	700 (317.5)	Green	0.5 (12.7)

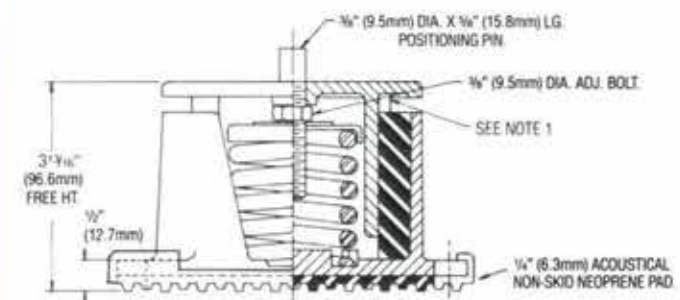
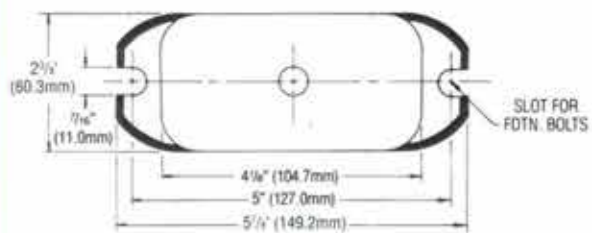
NOTE 1: TO LEVEL EQUIPMENT ADJUST MOUNTINGS SO THAT UPPER HOUSING CLEARS LOWER HOUSING BY AT LEAST  $\frac{1}{4}$ " (6.3mm) AND NOT MORE THAN  $\frac{1}{8}$ " (12.7mm)



## TYPE BP

Type & Size	Max. Load, lbs. (Kg)	Spring Color	Defl., ins. (mm)
BP-11	60 (27.2)	Blue	1.3 (33.0)
BP-12	100 (45.3)	Orange	1.3 (33.0)
BP-13	165 (74.8)	Brown	1.2 (30.4)
BP-14	260 (117.9)	Black	1.0 (25.4)
BP-16	370 (167.8)	Yellow	0.8 (20.3)
BP-17	450 (204.1)	Red	0.5 (12.7)
BP-18	700 (317.5)	Green	0.5 (12.7)

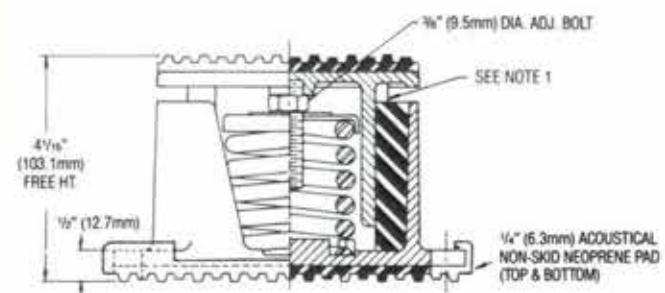
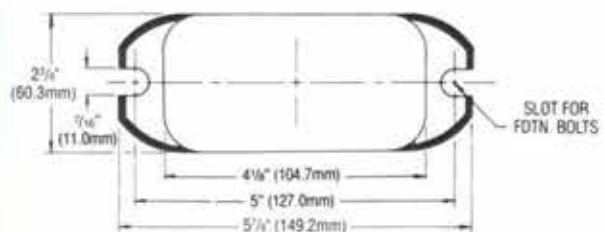
NOTE 1: TO LEVEL EQUIPMENT ADJUST MOUNTINGS SO THAT UPPER HOUSING CLEARS LOWER HOUSING BY AT LEAST  $\frac{1}{4}$ " (6.3mm) AND NOT MORE THAN  $\frac{1}{8}$ " (12.7mm)



## TYPE BT

Type & Size	Max. Load, lbs. (Kg)	Spring Color	Defl., ins. (mm)
BT-11	60 (27.2)	Blue	1.3 (33.0)
BT-12	100 (45.3)	Orange	1.3 (33.0)
BT-13	165 (74.8)	Brown	1.2 (30.4)
BT-14	260 (117.9)	Black	1.0 (25.4)
BT-16	370 (167.8)	Yellow	0.8 (20.3)
BT-17	450 (204.1)	Red	0.5 (12.7)
BT-18	700 (317.5)	Green	0.5 (12.7)

NOTE 1: TO LEVEL EQUIPMENT ADJUST MOUNTINGS SO THAT UPPER HOUSING CLEARS LOWER HOUSING BY AT LEAST  $\frac{1}{4}$ " (6.3mm) AND NOT MORE THAN  $\frac{1}{8}$ " (12.7mm)

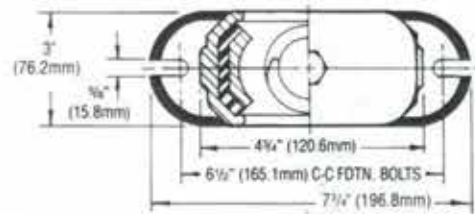




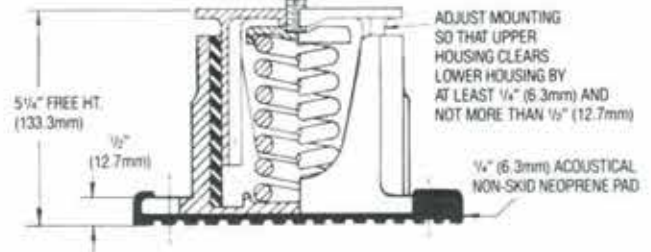
## TYPE CE-1

Type & Size	Max. Load, lbs. (Kg)	Spring Color	Defl., ins. (mm)
CE-1-19	85 (38.5)	Pink	1.36 (34.5)
CE-1-21	115 (52.1)	Black	1.31 (33.2)
CE-1-22	170 (77.1)	Blue	1.28 (32.5)
CE-1-23	225 (102.0)	Yellow	1.26 (32.0)
CE-1-24	325 (147.4)	Brown	1.23 (31.2)
CE-1-25	450 (204.1)	Red	1.22 (30.9)
CE-1-26	600 (272.1)	Purple	1.17 (29.7)
CE-1-27	750 (340.2)	Orange	1.06 (26.9)
CE-1-28	900 (408.2)	Green	1.02 (25.9)
CE-1-31	1100 (498.9)	Gray	.83 (21.0)
CE-1-32	1300 (589.6)	White	.74 (18.7)
★ CE-1-35	1500 (680.4)	Gold	.70 (17.7)

★ Free height 1/2" (12.7mm) higher than shown



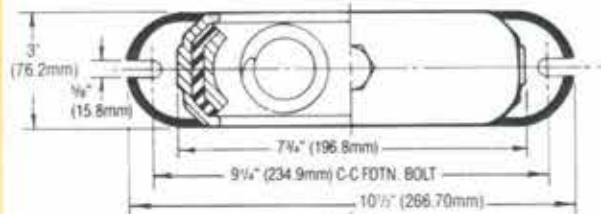
1/2" (12.7mm) DIA. X 3 1/2" (88.9mm)  
LONG ADJUSTING & LEVELING BOLT



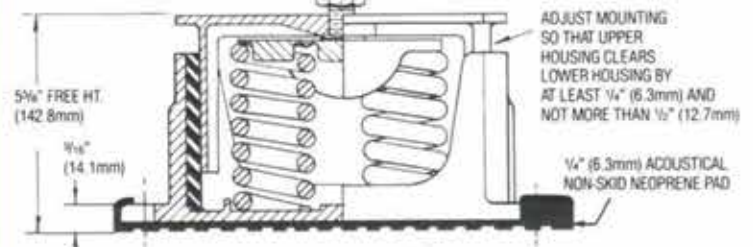
## TYPE CE-2

Type & Size	Max. Load, lbs. (Kg)	Spring Color	Defl., ins. (mm)
CE-2-25	900 (408.2)	Red	1.22 (30.9)
CE-2-26	1200 (544.3)	Purple	1.17 (29.7)
CE-2-27	1500 (680.4)	Orange	1.06 (26.9)
CE-2-28	1800 (816.4)	Green	1.02 (25.9)
CE-2-31	2200 (997.9)	Gray	.83 (21.0)
CE-2-32	2600 (1179.3)	White	.74 (18.7)
★ CE-2-35	3000 (1360.8)	Gold	.70 (17.7)

★ Free height 1/2" (12.7mm) higher than shown



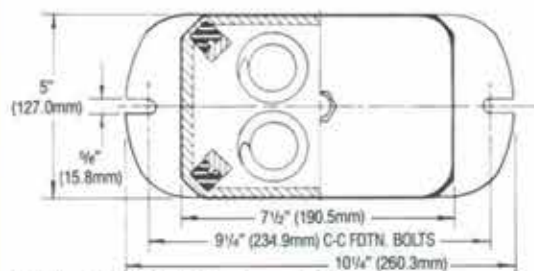
1/4" (15.8mm) DIA. X 3 1/2" (88.9mm)  
LONG ADJUSTING & LEVELING BOLT



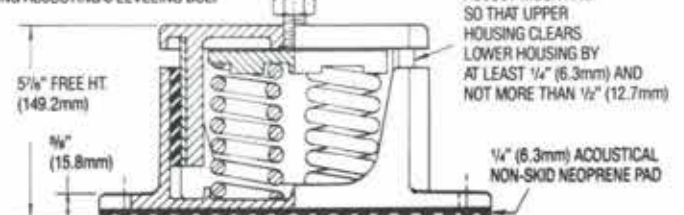
## TYPE CE-4

Type & Size	Max. Load, lbs. (Kg)	Spring Color	Defl., ins. (mm)
CE-4-25	1800 (816.4)	Red	1.22 (30.9)
CE-4-26	2400 (1088.6)	Purple	1.17 (29.7)
CE-4-27	3000 (1360.8)	Orange	1.06 (26.9)
CE-4-28	3600 (1632.9)	Green	1.02 (25.9)
CE-4-31	4400 (1995.8)	Gray	.83 (21.0)
CE-4-32	5200 (2358.7)	White	.74 (18.7)
★ CE-4-35	6000 (2721.6)	Gold	.70 (17.7)

★ Free height 1/2" (12.7mm) higher than shown



1/4" (15.8mm) DIA. X 3 1/2" (88.9mm)  
LONG ADJUSTING & LEVELING BOLT



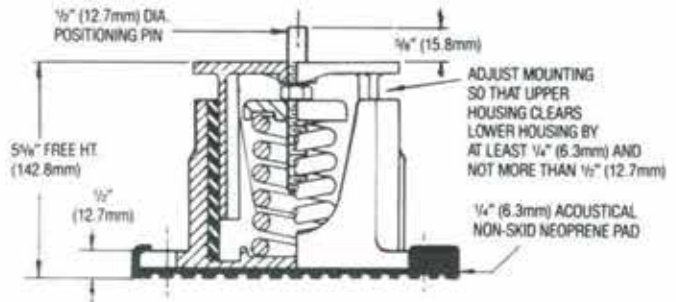
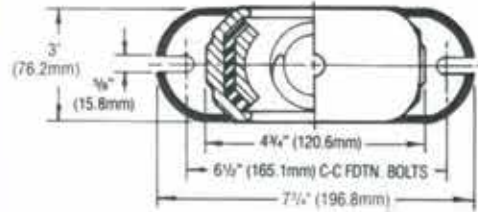




## TYPE CP-1

Type & Size	Max. Load, lbs. (Kg)	Spring Color	Defl., ins. (mm)
CP-1-19	85 (38.5)	Pink	1.36 (34.5)
CP-1-21	115 (52.1)	Black	1.31 (33.2)
CP-1-22	170 (77.1)	Blue	1.28 (32.5)
CP-1-23	225 (102.0)	Yellow	1.26 (32.0)
CP-1-24	325 (147.4)	Brown	1.23 (31.2)
CP-1-25	450 (204.1)	Red	1.22 (30.9)
CP-1-26	600 (272.1)	Purple	1.17 (29.7)
CP-1-27	750 (340.2)	Orange	1.06 (26.9)
CP-1-28	900 (408.2)	Green	1.02 (25.9)
CP-1-31	1100 (498.9)	Gray	.83 (21.0)
CP-1-32	1300 (589.6)	White	.74 (18.7)
★ CP-1-35	1500 (680.4)	Gold	.70 (17.7)

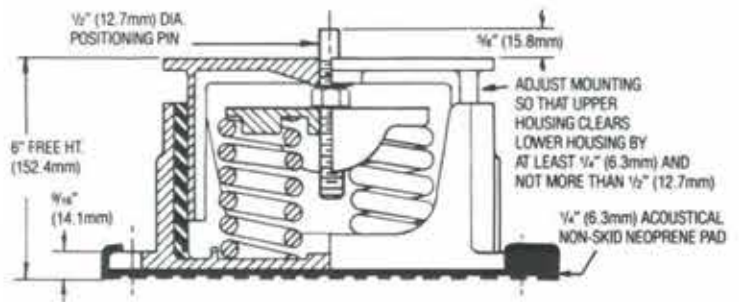
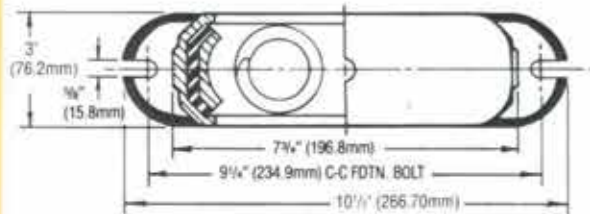
★ Free height 1/2" (12.7mm) higher than shown



## TYPE CP-2

Type & Size	Max. Load, lbs. (Kg)	Spring Color	Defl., ins. (mm)
CP-2-25	900 (408.2)	Red	1.22 (30.9)
CP-2-26	1200 (544.3)	Purple	1.17 (29.7)
CP-2-27	1500 (680.4)	Orange	1.06 (26.9)
CP-2-28	1800 (816.4)	Green	1.02 (25.9)
CP-2-31	2200 (997.9)	Gray	.83 (21.0)
CP-2-32	2600 (1179.3)	White	.74 (18.7)
★ CP-2-35	3000 (1360.8)	Gold	.70 (17.7)

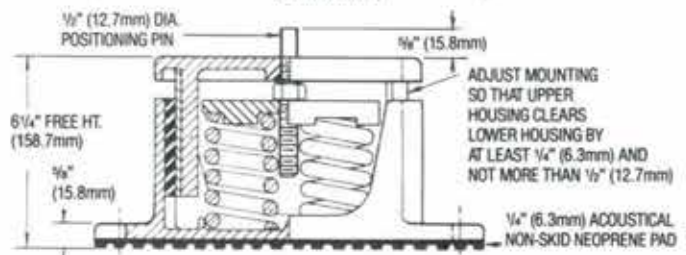
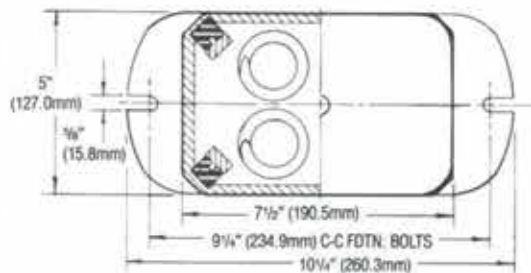
★ Free height 1/2" (12.7mm) higher than shown



## TYPE CP-4

Type & Size	Max. Load, lbs. (Kg)	Spring Color	Defl., ins. (mm)
CP-4-25	1800 (816.4)	Red	1.22 (30.9)
CP-4-26	2400 (1088.6)	Purple	1.17 (29.7)
CP-4-27	3000 (1360.8)	Orange	1.06 (26.9)
CP-4-28	3600 (1632.9)	Green	1.02 (25.9)
CP-4-31	4400 (1995.8)	Gray	.83 (21.0)
CP-4-32	5200 (2358.7)	White	.74 (18.7)
★ CP-4-35	6000 (2721.6)	Gold	.70 (17.7)

★ Free height 1/2" (12.7mm) higher than shown

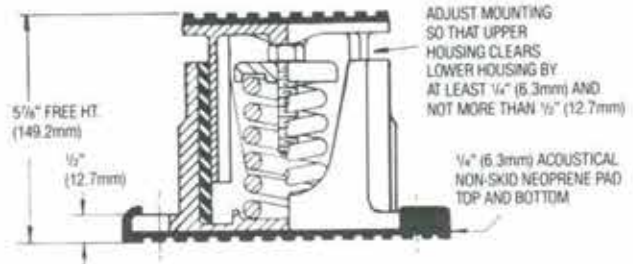
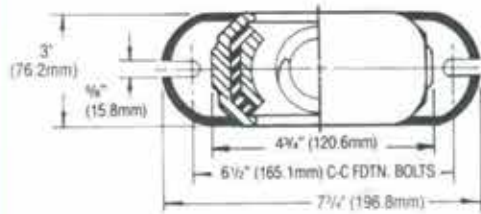




## TYPE CT-1

Type & Size	Max. Load, lbs. (Kg)	Spring Color	Defl., ins. (mm)
CT-1-19	85 (38.5)	Pink	1.36 (34.5)
CT-1-21	115 (52.1)	Black	1.31 (33.2)
CT-1-22	170 (77.1)	Blue	1.28 (32.5)
CT-1-23	225 (102.0)	Yellow	1.26 (32.0)
CT-1-24	325 (147.4)	Brown	1.23 (31.2)
CT-1-25	450 (204.1)	Red	1.22 (30.9)
CT-1-26	600 (272.1)	Purple	1.17 (29.7)
CT-1-27	750 (340.2)	Orange	1.06 (26.9)
CT-1-28	900 (408.2)	Green	1.02 (25.9)
CT-1-31	1100 (498.9)	Gray	.83 (21.0)
CT-1-32	1300 (589.6)	White	.74 (18.7)
★ CT-1-35	1500 (680.4)	Gold	.70 (17.7)

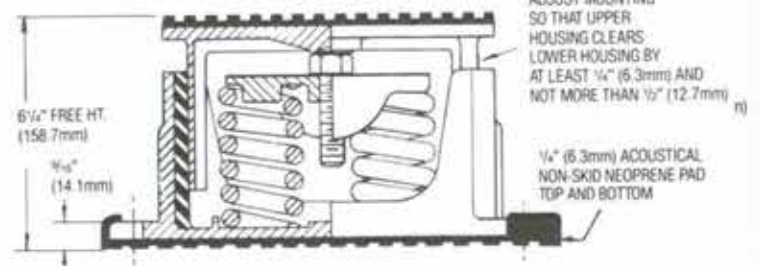
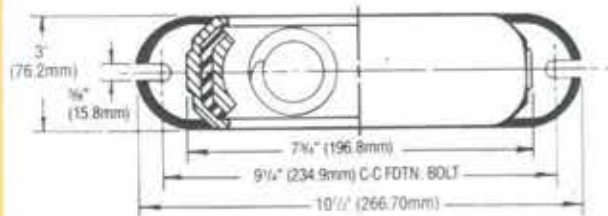
★ Free height 1/2" (12.7mm) higher than shown



## TYPE CT-2

Type & Size	Max. Load, lbs. (Kg)	Spring Color	Defl., ins. (mm)
CT-2-25	900 (408.2)	Red	1.22 (30.9)
CT-2-26	1200 (544.3)	Purple	1.17 (29.7)
CT-2-27	1500 (680.4)	Orange	1.06 (26.9)
CT-2-28	1800 (816.4)	Green	1.02 (25.9)
CT-2-31	2200 (997.9)	Gray	.83 (21.0)
CT-2-32	2600 (1179.3)	White	.74 (18.7)
★ CT-2-35	3000 (1360.8)	Gold	.70 (17.7)

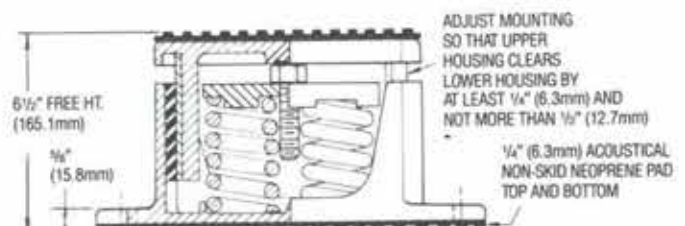
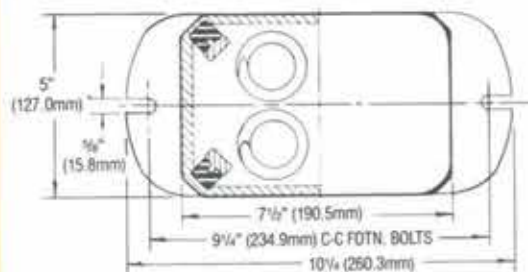
★ Free height 1/2" (12.7mm) higher than shown



## TYPE CT-4

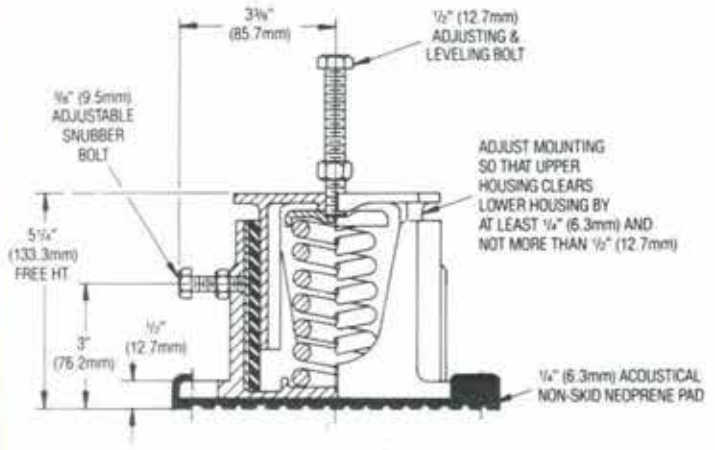
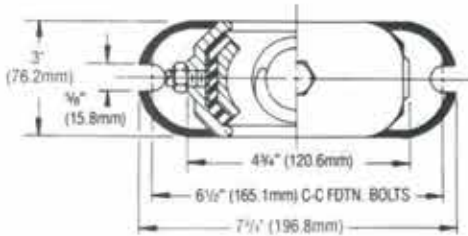
Type & Size	Max. Load, lbs. (Kg)	Spring Color	Defl., ins. (mm)
CT-4-25	1800 (816.4)	Red	1.22 (30.9)
CT-4-26	2400 (1088.6)	Purple	1.17 (29.7)
CT-4-27	3000 (1360.8)	Orange	1.06 (26.9)
CT-4-28	3600 (1632.9)	Green	1.02 (25.9)
CT-4-31	4400 (1995.8)	Gray	.83 (21.0)
CT-4-32	5200 (2356.7)	White	.74 (18.7)
★ CT-4-35	6000 (2721.8)	Gold	.70 (17.7)

★ Free height 1/2" (12.7mm) higher than shown





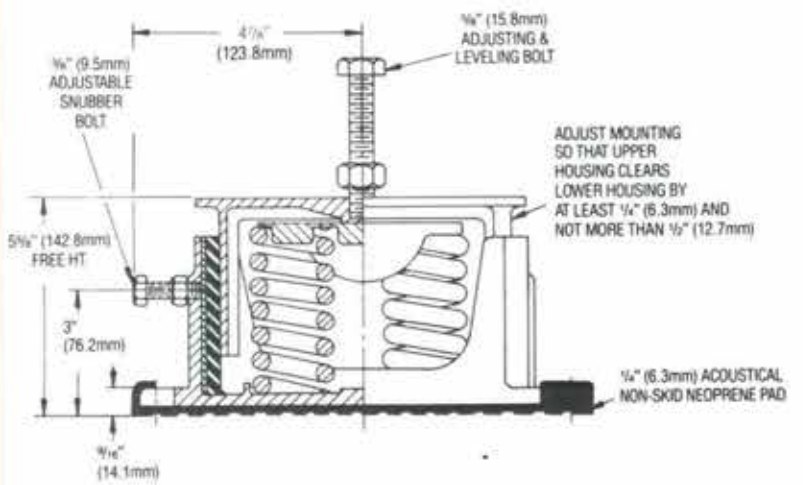
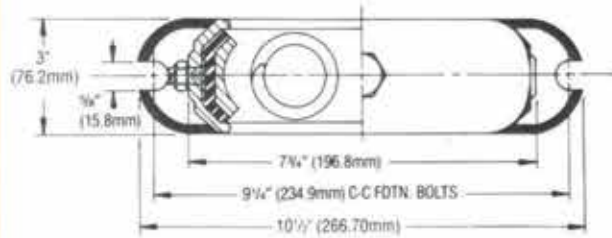
## TYPE CESS-1



Type & Size	Max. Load, lbs. (Kg)	Spring Color	Defl., ins. (mm)
CESS-1-19	85 (38.5)	Pink	1.36 (34.5)
CESS-1-21	115 (52.1)	Black	1.31 (33.2)
CESS-1-22	170 (77.1)	Blue	1.28 (32.5)
CESS-1-23	225 (102.0)	Yellow	1.26 (32.0)
CESS-1-24	325 (147.4)	Brown	1.23 (31.2)
CESS-1-25	450 (204.1)	Red	1.22 (30.9)
CESS-1-26	600 (272.1)	Purple	1.17 (29.7)
CESS-1-27	750 (340.2)	Orange	1.06 (26.9)
CESS-1-28	900 (408.2)	Green	1.02 (25.9)
CESS-1-31	1100 (498.9)	Gray	.83 (21.0)
CESS-1-32	1300 (589.6)	White	.74 (18.7)
CESS-1-35	1500 (680.4)	Gold	.70 (17.7)

\* Free height 1/2" (12.7mm) higher than shown

## TYPE CESS-2



Type & Size	Max. Load, lbs. (Kg)	Spring Color	Defl., ins. (mm)
CESS-2-25	900 (408.2)	Red	1.22 (30.9)
CESS-2-26	1200 (544.3)	Purple	1.17 (29.7)
CESS-2-27	1500 (680.4)	Orange	1.06 (26.9)
CESS-2-28	1800 (816.4)	Green	1.02 (25.9)
CESS-2-31	2200 (997.9)	Gray	.83 (21.0)
CESS-2-32	2600 (1179.3)	White	.74 (18.7)
CESS-2-35	3000 (1360.8)	Gold	.70 (17.7)

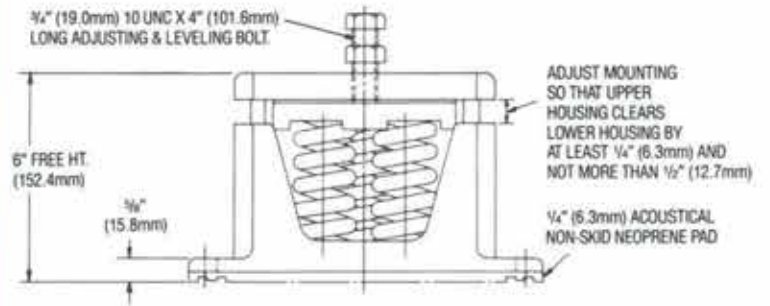
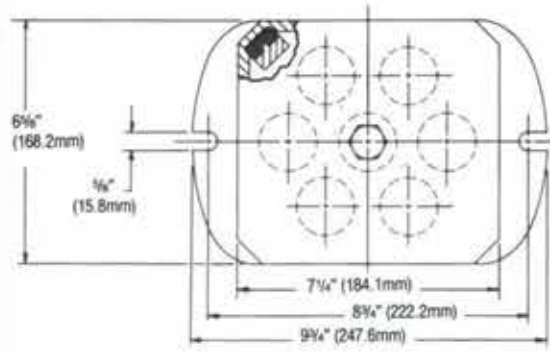
\* Free height 1/2" (12.7mm) higher than shown

## TYPE CE-7



Mounting	Max. Load, lbs. (Kg)	Spring Color	Defl., ins. (mm)
CE-7-25	3150 (1428.8)	Red	1.22 (30.9)
CE-7-26	4200 (2041.2)	Purple	1.17 (29.7)
CE-7-27	5250 (2381.4)	Orange	1.06 (26.9)
CE-7-28	6300 (2857.6)	Green	1.02 (25.9)
CE-7-31	7700 (3492.7)	Gray	.83 (21.0)
CE-7-32	9100 (4127.7)	White	.74 (18.7)
★ CE-7-35	10500 (4762.8)	Gold	.70 (17.7)

★ Free height 1/2" (12.7mm) higher than shown

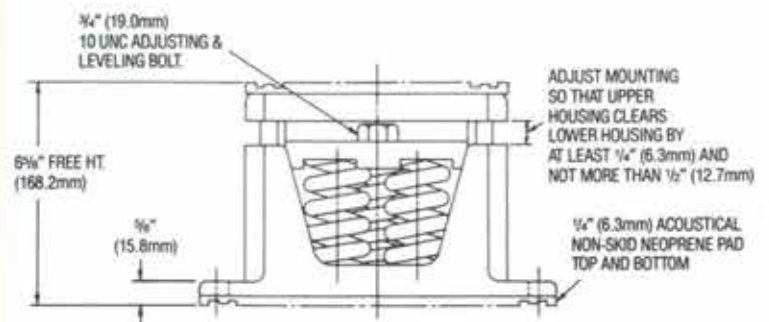
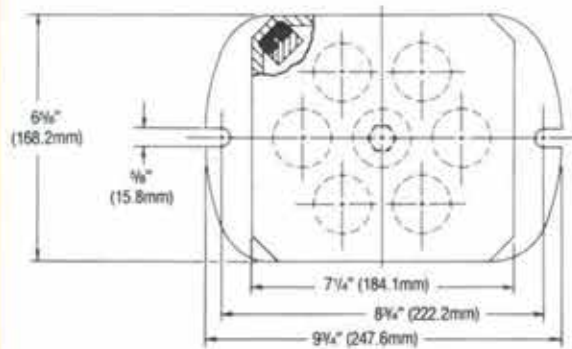


## TYPE CT-7



Mounting	Max. Load, lbs. (Kg)	Spring Color	Defl., ins. (mm)
CT-7-25	3150 (1428.8)	Red	1.22 (30.9)
CT-7-26	4200 (2041.2)	Purple	1.17 (29.7)
CT-7-27	5250 (2381.4)	Orange	1.06 (26.9)
CT-7-28	6300 (2857.6)	Green	1.02 (25.9)
CT-7-31	7700 (3492.7)	Gray	.83 (21.0)
CT-7-32	9100 (4127.7)	White	.74 (18.7)
★ CT-7-35	10500 (4762.8)	Gold	.70 (17.7)

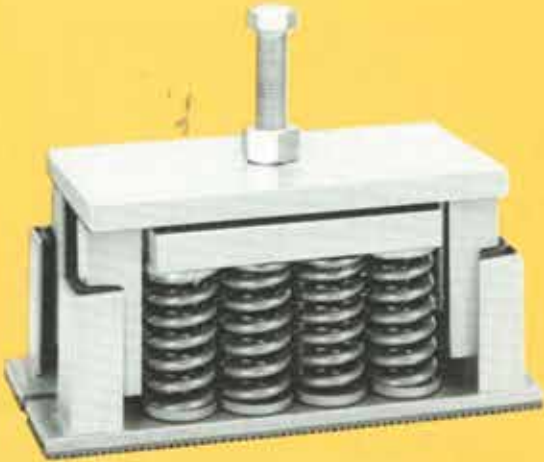
★ Free height 1/2" (12.7mm) higher than shown



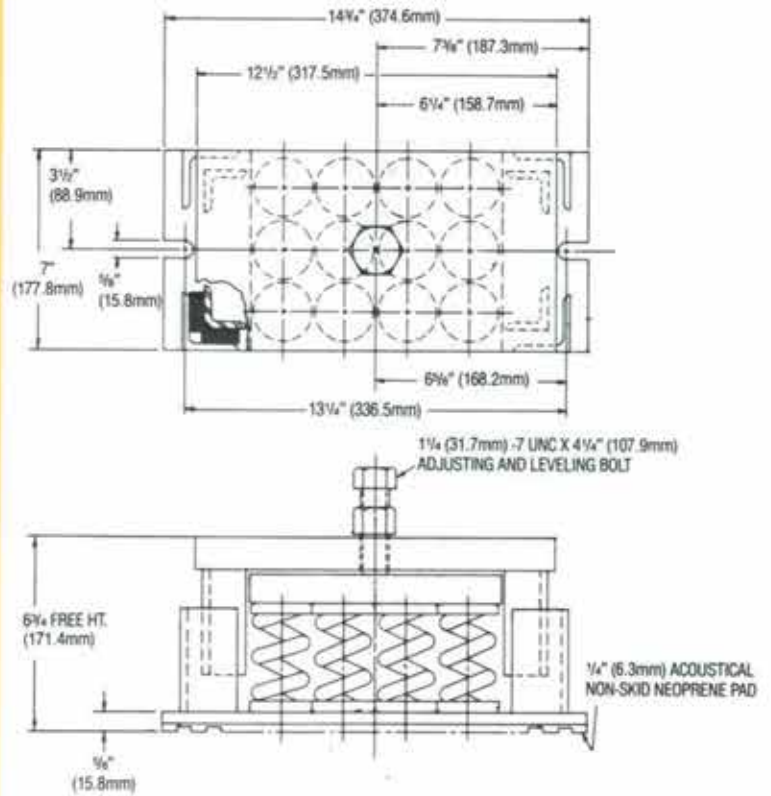


## TYPE CE-12

welded steel  
construction



Mounting	Max. Load, lbs. (Kg)	Spring Color	Defl., ins. (mm)
CE-12-25	5400 (2449.4)	Red	1.22 (30.9)
CE-12-26	7200 (3265.9)	Purple	1.17 (29.7)
CE-12-27	9000 (4082.4)	Orange	1.06 (26.9)
CE-12-28	10800 (4898.8)	Green	1.02 (25.9)
CE-12-31	13200 (5987.5)	Gray	.83 (21.0)
CE-12-32	15600 (7076.1)	White	.74 (18.7)

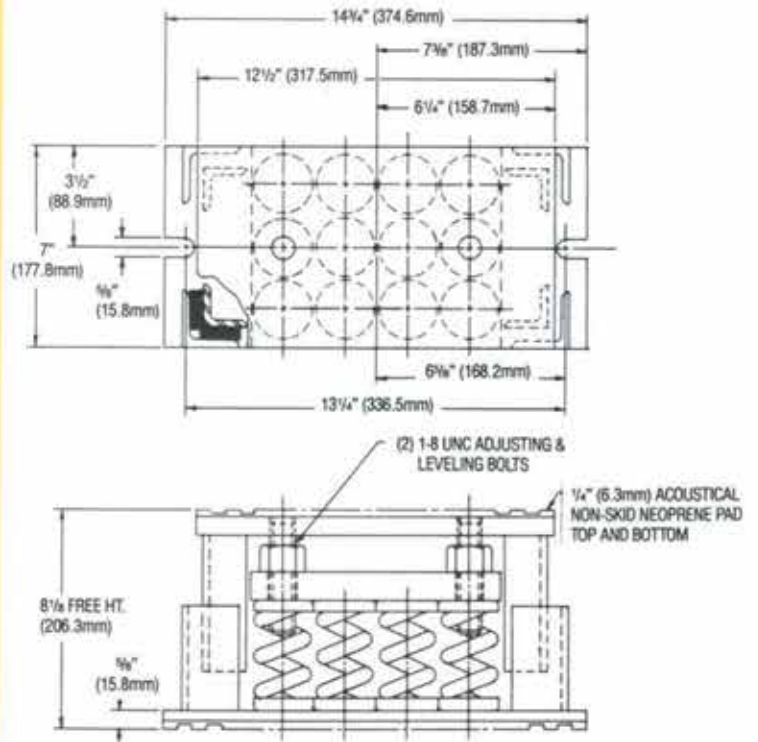


## TYPE CT-12

welded steel  
construction



Mounting	Max. Load, lbs. (Kg)	Spring Color	Defl., ins. (mm)
CT-12-25	5400 (2449.4)	Red	1.22 (30.9)
CT-12-26	7200 (3265.9)	Purple	1.17 (29.7)
CT-12-27	9000 (4082.4)	Orange	1.06 (26.9)
CT-12-28	10800 (4898.8)	Green	1.02 (25.9)
CT-12-31	13200 (5987.5)	Gray	.83 (21.0)
CT-12-32	15600 (7076.1)	White	.74 (18.7)

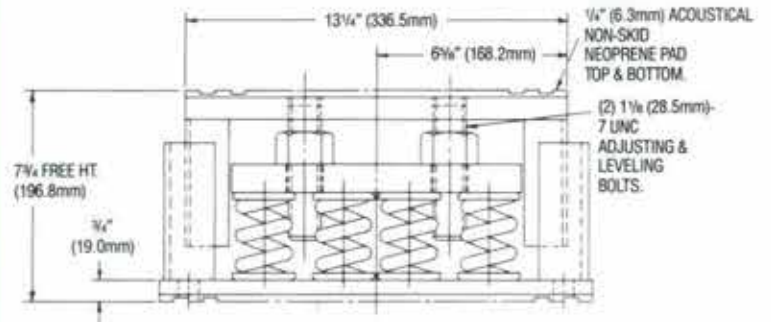
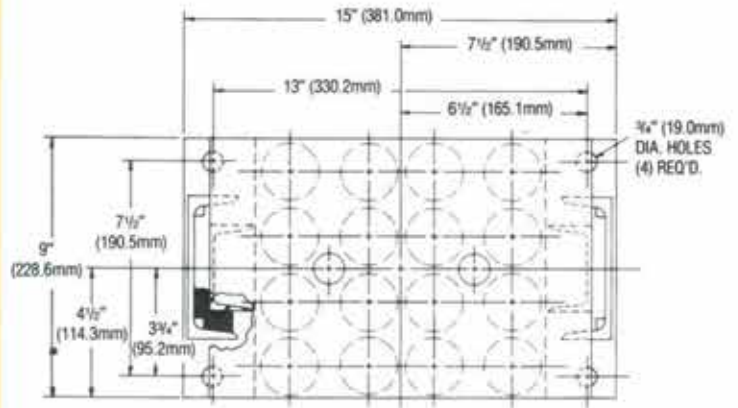


## TYPE CT-16

welded steel construction



Mounting	Max. Load, lbs. (Kg)	Spring Color	Defl., ins. (mm)
CT-16-26	9600 (4354.5)	Purple	1.17 (29.7)
CT-16-27	12000 (5443.2)	Orange	1.06 (26.9)
CT-16-28	14400 (6531.8)	Green	1.02 (25.9)
CT-16-31	17600 (7983.3)	Gray	.83 (21.0)
CT-16-32	20800 (9434.8)	White	.74 (18.7)

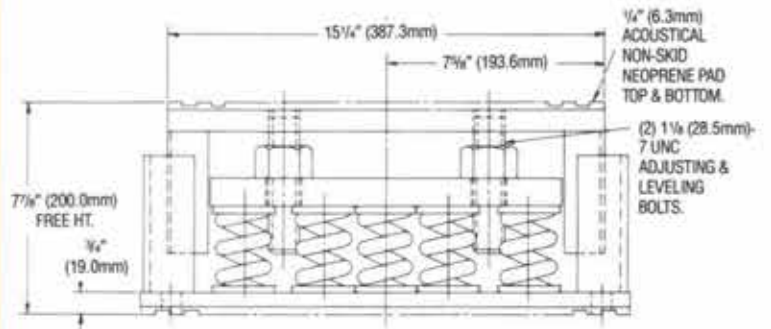
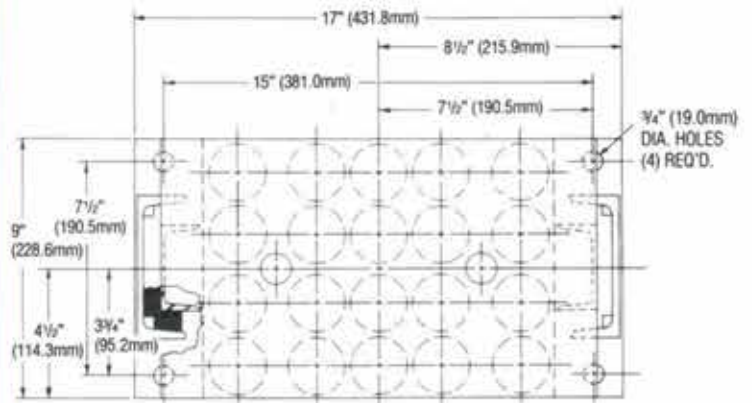


## TYPE CT-20

welded steel construction



Mounting	Max. Load, lbs. (Kg)	Spring Color	Defl., ins. (mm)
CT-20-26	12000 (5443.2)	Purple	1.17 (29.7)
CT-20-27	15000 (6804.0)	Orange	1.06 (26.9)
CT-20-28	18000 (8164.8)	Green	1.02 (25.9)
CT-20-31	22000 (9979.2)	Gray	.83 (21.0)
CT-20-32	26000 (11793.6)	White	.74 (18.7)

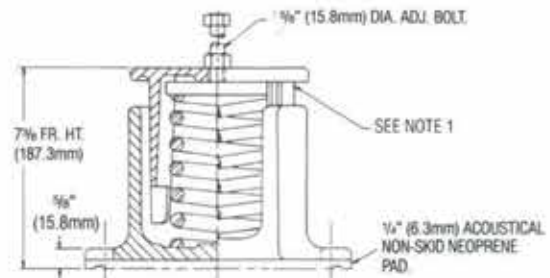
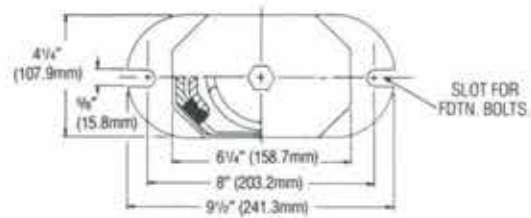






## TYPE DE

Type & Size	Max. Load, lbs. (Kg)	Spring Color	Defl., ins. (mm)
DE-50	150 (68.0)	Blue	2.0 (50.8)
DE-51	276 (125.1)	Black	2.0 (50.8)
DE-510	426 (193.2)	Black/Blue	2.0 (50.8)
DE-52	500 (226.8)	Red	2.0 (50.8)
DE-520	650 (294.8)	Red/Blue	2.0 (50.8)
DE-521	776 (351.9)	Red/Black	2.0 (50.8)
DE-53	1000 (453.6)	Green	2.0 (50.8)
DE-530	1150 (521.6)	Green/Blue	2.0 (50.8)
DE-531	1276 (578.7)	Green/Black	2.0 (50.8)
DE-532	1500 (680.4)	Green/Red	2.0 (50.8)
DE-551	1676 (760.2)	Gray/Black	2.0 (50.8)
DE-552	1900 (861.8)	Gray/Red	2.0 (50.8)
DE-553	2200 (997.9)	Gray/Green	2.0 (50.8)

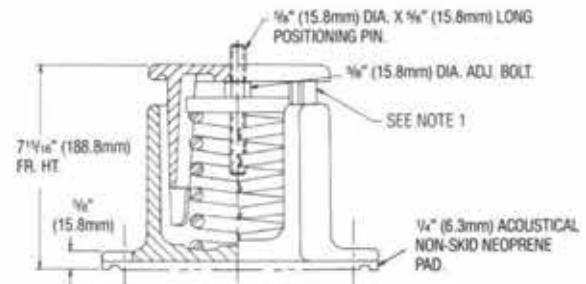
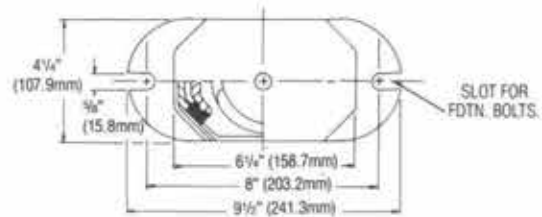


NOTE 1: TO LEVEL EQUIPMENT ADJUST MOUNTING SO THAT UPPER HOUSING CLEARS LOWER HOUSING AT LEAST 1/4" (6.3mm) AND NOT MORE THAN 1" (25.4mm)



## TYPE DP

Type & Size	Max. Load, lbs. (Kg)	Spring Color	Defl., ins. (mm)
DP-50	150 (68.0)	Blue	2.0 (50.8)
DP-51	276 (125.1)	Black	2.0 (50.8)
DP-510	426 (193.2)	Black/Blue	2.0 (50.8)
DP-52	500 (226.8)	Red	2.0 (50.8)
DP-520	650 (294.8)	Red/Blue	2.0 (50.8)
DP-521	776 (351.9)	Red/Black	2.0 (50.8)
DP-53	1000 (453.6)	Green	2.0 (50.8)
DP-530	1150 (521.6)	Green/Blue	2.0 (50.8)
DP-531	1276 (578.7)	Green/Black	2.0 (50.8)
DP-532	1500 (680.4)	Green/Red	2.0 (50.8)
DP-551	1676 (760.2)	Gray/Black	2.0 (50.8)
DP-552	1900 (861.8)	Gray/Red	2.0 (50.8)
DP-553	2200 (997.9)	Gray/Green	2.0 (50.8)

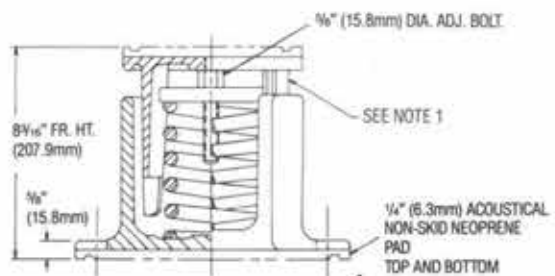
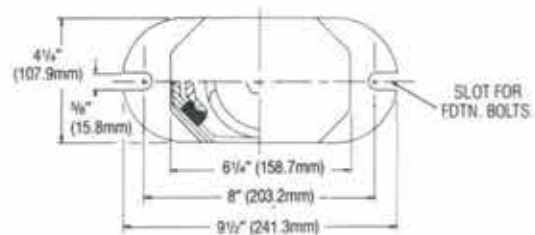


NOTE 1: TO LEVEL EQUIPMENT ADJUST MOUNTING SO THAT UPPER HOUSING CLEARS LOWER HOUSING AT LEAST 1/4" (6.3mm) AND NOT MORE THAN 1" (25.4mm).



## TYPE DT

Type & Size	Max. Load, lbs. (Kg)	Spring Color	Defl., ins. (mm)
DT-50	150 (68.0)	Blue	2.0 (50.8)
DT-51	276 (125.1)	Black	2.0 (50.8)
DT-510	426 (193.2)	Black/Blue	2.0 (50.8)
DT-52	500 (226.8)	Red	2.0 (50.8)
DT-520	650 (294.8)	Red/Blue	2.0 (50.8)
DT-521	776 (351.9)	Red/Black	2.0 (50.8)
DT-53	1000 (453.6)	Green	2.0 (50.8)
DT-530	1150 (521.6)	Green/Blue	2.0 (50.8)
DT-531	1276 (578.7)	Green/Black	2.0 (50.8)
DT-532	1500 (680.4)	Green/Red	2.0 (50.8)
DT-551	1676 (760.2)	Gray/Black	2.0 (50.8)
DT-552	1900 (861.8)	Gray/Red	2.0 (50.8)
DT-553	2200 (997.9)	Gray/Green	2.0 (50.8)



NOTE 1: TO LEVEL EQUIPMENT ADJUST MOUNTING SO THAT UPPER HOUSING CLEARS LOWER HOUSING AT LEAST 1/4" (6.3mm) AND NOT MORE THAN 1" (25.4mm).

# VMC

## The Vibration Control People...



VMC is a world leader in the design and manufacture of vibration isolation equipment and components.

Our on-going program of product development and improvement insures that every installation is correctly designed and accurately manufactured to provide the maximum efficiency needed for each application. Experienced Sales and Engineering teams stand ready to offer solutions to your unique and complex vibration control problems.

# VMC

**Vibration Mountings & Controls, Inc.**

An Aeroflex, Inc. Company

Emtec Products Ltd., Unit L, Turnpike Way, High Wycombe, HP12 3TF  
Tel: 020 8848 3031 [www.emtecproducts.co.uk](http://www.emtecproducts.co.uk)

Data sheets are issued in all good faith and the information given is current at the time of printing. EMTEC reserves the right to alter, amend or withdraw products as and when necessary. All rights to the products described in this data sheet are reserved to EMTEC.

**EMTEC**