

VME

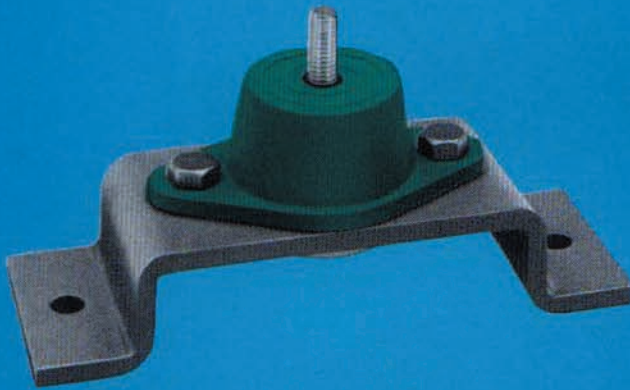
KORFUND

Neoprene Mountings

Series R/RD



EXCLUSIVE—
COLOR
CODED



Effective Isolation for Floor Mounted Equipment

Series R & RD Neoprene Mountings are molded in colored oil-resistant neoprene. This unique color coding provides instant identification of loading capacity — simplifies stocking — prevents installation errors.

The VMC molding process embeds all metal parts in neoprene, preventing corrosion. Mountings can also be molded in other elastomers to meet special requirements.

Available in 4 sizes – 5 durometers

Load Range – 10 lbs. to 4,000 lbs.

Deflections to ¼" with type R
to ½" with type RD

Corrosion Proof

Molded in colored oil-resistant neoprene

5 colors for error free identification

Typical Applications

Air Handling Units Business Machines

Compressors Fans Instrument Panels

Machine Tools Pumps

Motor Generators Transformers

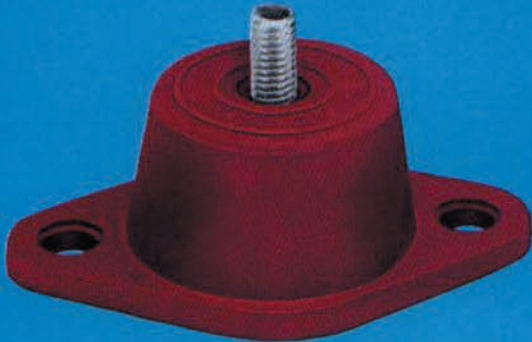
To Specify:

Neoprene mountings shall consist of a steel top plate and base plate completely embedded in coloured oil-resistant neoprene stock for easy identification of capacity. The mountings shall be Type R or RD, depending upon the required deflection of 1/4" to 1/2", as manufactured by VMC and as supplied by EMTEC Products Limited

TYPE R/RD



TYPE RP/RDP

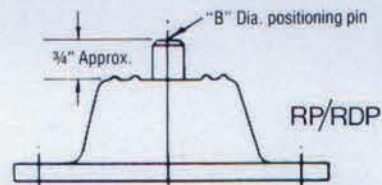
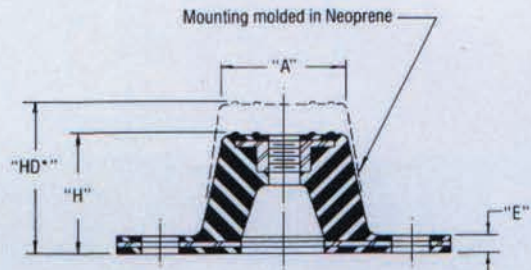
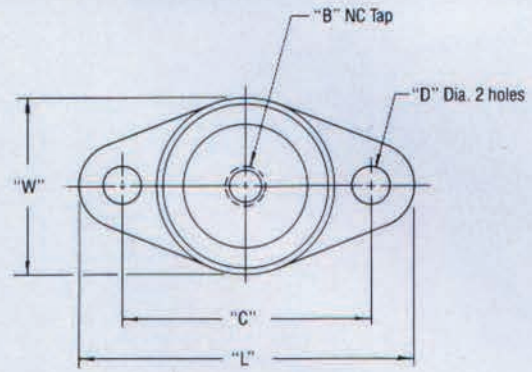


Dimensions: Ins. (mm)

TYPE	L	W	H	*HD	A	B	C	D	E
R-1 or RD-1	3 1/8" (79.4)	1 3/4" (44.4)	1" (25.4)	1 1/4" (31.7)	1 1/4" (31.7)	3/16" (8.0)	2 3/8" (60.4)	1 1/32" (8.8)	3/16" (4.8)
R-2 or RD-2	3 7/8" (98.6)	2 3/8" (60.4)	1 1/4" (31.7)	1 3/4" (44.4)	1 1/4" (44.4)	3/8" (9.6)	3" (76.2)	1 1/32" (8.8)	7/32" (5.6)
R-3 or RD-3	5 1/2" (139.7)	3 3/8" (85.8)	1 3/4" (44.4)	2 7/16" (73.2)	2 1/2" (63.5)	1/2" (12.7)	4 1/8" (104.8)	3/16" (14.4)	1/4" (6.3)
R-4 or RD-4	6 1/4" (158.7)	4 3/8" (117.6)	1 3/8" (41.4)	2 3/4" (69.8)	3" (76.2)	1/2" (12.7)	5" (127.0)	3/16" (14.4)	3/8" (9.6)

* HD dimension applies to double deflection Type RD mountings only.

New design for Type R-4 and RD-4 neoprene mountings.



Type	Color Code	Max. Load		Deflection ins. (mm)	
		lbs.	(kg)	R	RD
R-1 or RD-1	BLUE	35	(15.8)	0.20 (5.0)	0.40 (10.1)
	BLACK	45	(20.4)		
	RED	70	(31.7)		
	GREEN	120	(54.4)		
R-2 or RD-2	BLUE	135	(61.3)	0.25 (6.3)	0.50 (12.7)
	BLACK	170	(77.0)		
	RED	240	(109.0)		
	GREEN	380	(172.5)		
	GRAY	550	(249.7)		
R-3 or RD-3	BLACK	250	(113.5)	0.25 (6.3)	0.50 (12.7)
	RED	525	(238.3)		
	GREEN	750	(340.5)		
	GRAY	1100	(499.4)		
R-4 or RD-4	BLACK	1500	(681.0)	0.25 (6.3)	0.50 (12.7)
	RED	2250	(1021.5)		
	GREEN	3000	(1362.0)		
	GRAY	4000	(1816.0)		



**Type R or RD
IF BOLTING IS
PREFERRED—**

Type R or RD mountings are furnished with a tapped hole in the center. This enables the equipment to be bolted securely to the mounting.



**Type R or RD
NO BOLTING REQUIRED—**

Type R or RD mountings may be used without bolting under machines having no lateral or severe vertical motion.



**Type RP or RDP
IF BOLT HOLE IS
INACCESSIBLE**

Type RP or RDP mountings with pin (equal in diameter to dimension B above) that simply fits freely into threaded or unthreaded bolt holes.

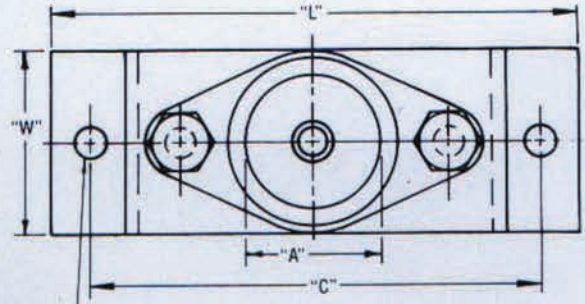
TYPE RCM



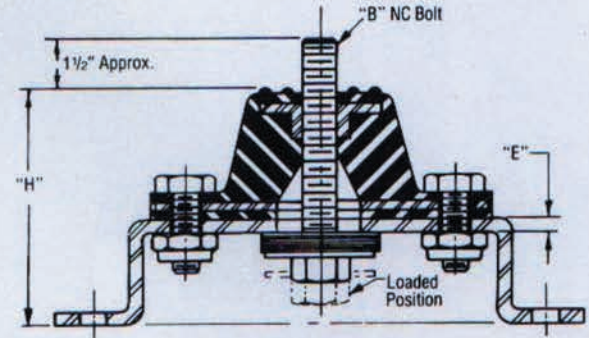
Thru bolt makes mounting and supported equipment captive. It prevents failure of mounting due to excessive horizontal and vertical shock. Recommended for shipboard and vehicular installations, or engine installations with high starting torque.

Dimensions: ins. (mm)

TYPE	L	W	H	A	B	C	D	E
RCM-2	7" (177.8)	2 3/4" (57.0)	2 3/4" (69.8)	1 3/4" (44.4)	3/8" (9.6)	5 3/4" (146.0)	1 1/32" (8.6)	1/4" (6.3)
RCM-3	9 1/2" (241.3)	3 1/2" (89.0)	3 1/2" (89.0)	2 9/16" (65.2)	1/2" (12.7)	8" (203.2)	9/16" (14.4)	3/16" (8.0)
RCM-4	11" (279.4)	4 1/2" (114.3)	3 3/4" (95.2)	3 3/4" (95.2)	1/2" (12.7)	9 1/2" (241.3)	9/16" (14.4)	3/8" (9.6)

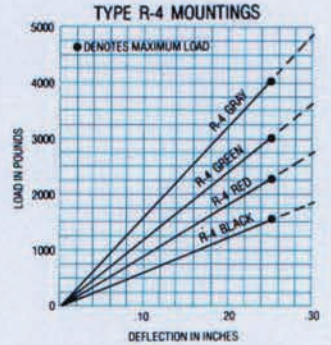
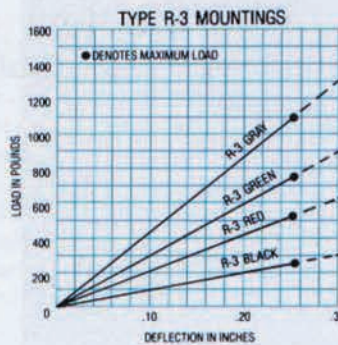
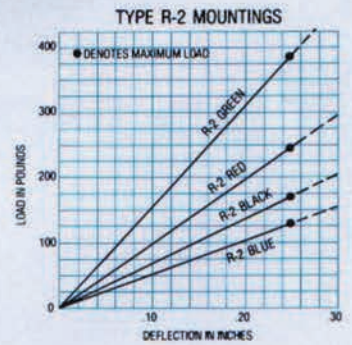
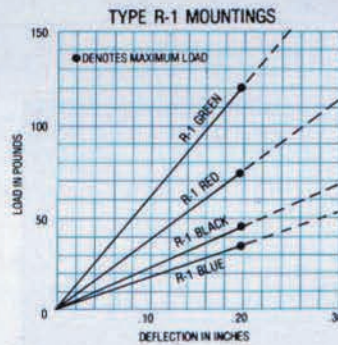


"D" Dia. 2 holes

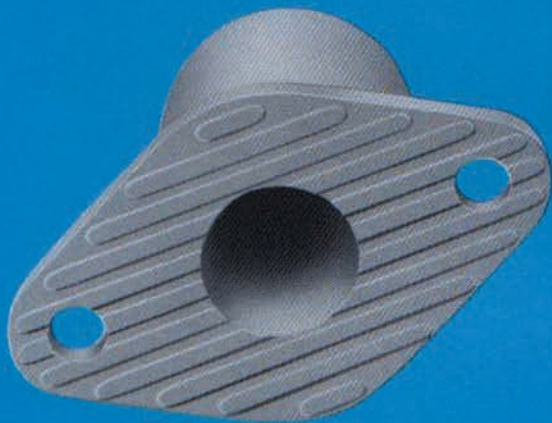


Type	Color Code	Max. Load		Deflection ins. (mm)
		lbs.	(kg)	
RCM-2	BLACK	170	(77.0)	1/4" (6.3)
	RED	240	(109.0)	
	GREEN	380	(172.5)	
RCM-3	BLACK	250	(113.5)	1/4" (6.3)
	RED	525	(238.3)	
	GREEN	750	(340.5)	
	GRAY	1100	(499.4)	
RCM-4	BLACK	1500	(681.0)	1/4" (6.3)
	RED	2250	(1021.5)	
	GREEN	3000	(1362.0)	
	GRAY	4000	(1816.0)	

LOAD DEFLECTION CURVES



Note: For Series RD mountings, double the deflection shown for given load.



A non-skid ribbed neoprene covering on base plate eliminates the need for bolting to floor.