

## Spring-Flex Hangers Series SH/RSH



Two Basic Designs

Effective Isolation of Noise and Vibration

Loads to 5,000 pounds

Static Deflections to 5 inches

Quickly and Easily Installed

Color Coded Springs for Easy Identification

### Typical Applications

Piping   Air Handling Units   Fans

Duct Work   Suspended Ceilings

## Spring-Flex Hangers

### Series SH/RSH

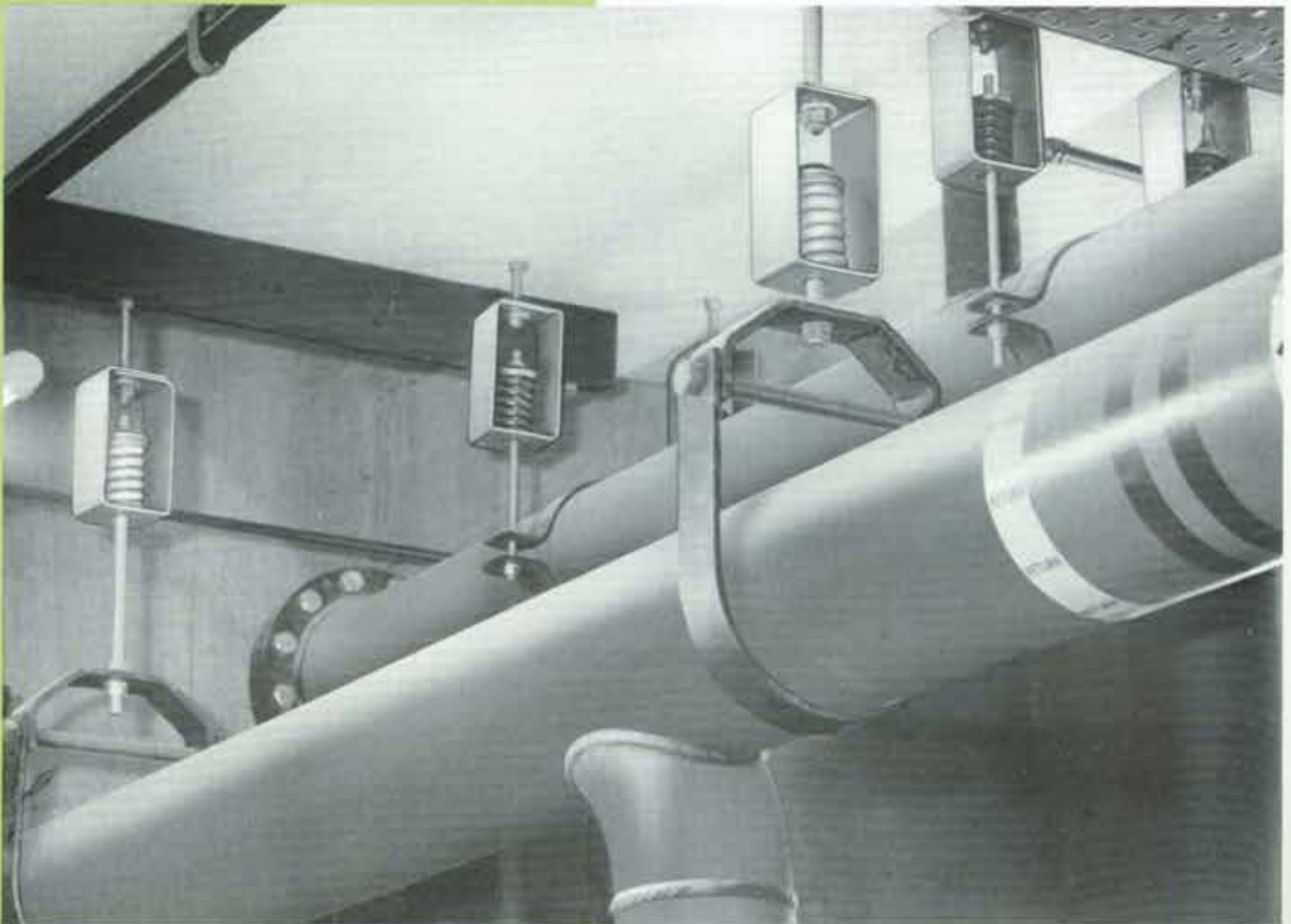
VMC Spring-Flex hangers are offered in two basic designs — Series "SH" spring hangers designed to isolate low frequency vibrations and Series "RSH" combination spring in series with a neoprene element designed for critical locations where it is important to isolate both noise & vibration.

As you go through this brochure you will see variations to the two basic designs such as the series SH-30A and RSH-30A. The designation 30A means the hanger rod can swing through a 30 degree arc before contacting the isolation hanger box thus avoiding any short circuiting.

Series SHP and RSHP Positioning Hangers are designed to maintain suspended equipment and piping at a fixed elevation during installation regardless of load changes. An adjusting device is provided to transfer the load to the spring after the piping system has been filled with fluid and still maintain the same elevation. They are especially recommended for the first three hangers adjacent to rotating equipment in order to eliminate piping weight and stress on connecting flanges and flexible connectors.

Series SHSC and RSHSC are designed primarily to isolate suspended ceilings and duct work. They are furnished with eye nut assemblies so that they can be easily fastened with wire or bolted to ceiling channel or straps.

All the designs presented and detailed in this brochure are standard and immediately available. When special requirements arise, please contact us.



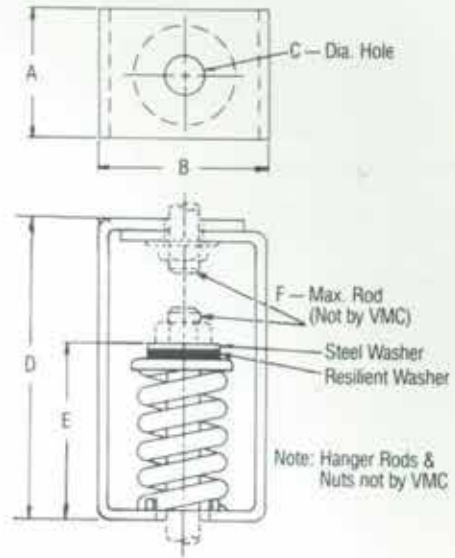
# SERIES SH

1" deflection



Dimensions: in. (mm)

| TYPE & SIZE             | A             | B              | C             | D              | E              | F             |
|-------------------------|---------------|----------------|---------------|----------------|----------------|---------------|
| SHS-6 thru 10           | 2 1/4" (57.5) | 2 1/4" (59.6)  | 3/8" (14.2)   | 4 1/2" (114.3) | 2 1/4" (73.0)  | 1/4" (9.5)    |
| SHS-11 thru 18          | 2 1/4" (57.5) | 3" (76.2)      | 3/8" (20.6)   | 5 1/4" (139.7) | 3 1/4" (79.3)  | 1/4" (15.8)   |
| SH-19 thru 32           | 3" (76.2)     | 3 1/4" (76.2)  | 3/4" (21.75)  | 7" (177.8)     | 4 1/2" (120.6) | 1/4" (19.0)   |
| SHW-200 thru 1628       | 4" (101.6)    | 4 1/2" (113.0) | 1 1/2" (38.1) | 8 1/2" (216.0) | 4 1/2" (117.4) | 1" (25.4)     |
| SHW-2<br>1620/1625/1626 | 5" (127.0)    | 10" (254.0)    | 1 1/2" (31.7) | 12" (304.8)    | 6 1/2" (166.2) | 1 1/4" (28.5) |



| TYPE & SIZE | DEFLECTION |        | MAX. LOAD |          | SPRING CONSTR. |          | SPRING COLOR |
|-------------|------------|--------|-----------|----------|----------------|----------|--------------|
|             | in.        | (mm)   | lbs       | (kg)     | lbs./in.       | (kg./mm) |              |
| SHS-6       | 1.3        | (33.0) | 21        | (9.5)    | 16             | (0.3)    | BLUE         |
| SHS-7       | 1.3        | (33.0) | 39        | (17.7)   | 30             | (0.5)    | BLACK        |
| SHS-8       | 1.1        | (28.0) | 50        | (22.7)   | 46             | (0.8)    | RED          |
| SHS-9       | 1.0        | (25.4) | 80        | (36.3)   | 80             | (1.4)    | GREEN        |
| SHS-10      | 1.0        | (25.4) | 105       | (47.6)   | 105            | (1.8)    | GRAY         |
| SHS-11      | 1.3        | (33.0) | 60        | (27.2)   | 46             | (0.8)    | BLUE         |
| SHS-12      | 1.3        | (33.0) | 100       | (45.4)   | 76             | (1.4)    | ORANGE       |
| SHS-13      | 1.2        | (30.5) | 165       | (74.8)   | 133            | (2.3)    | BROWN        |
| SHS-14      | 1.0        | (25.4) | 260       | (118.0)  | 263            | (4.7)    | BLACK        |
| SHS-15      | 0.9        | (23.3) | 370       | (167.9)  | 433            | (8.8)    | YELLOW       |
| SHS-17      | 0.5        | (12.7) | 450       | (204.3)  | 900            | (16.1)   | RED          |
| SHS-18      | 0.5        | (12.7) | 700       | (317.8)  | 1556           | (27.8)   | GREEN        |
| SH-19       | 1.4        | (35.5) | 85        | (38.5)   | 62.5           | (1.1)    | Pink         |
| SH-21       | 1.3        | (33.0) | 115       | (52.2)   | 87             | (1.5)    | BLACK        |
| SH-22       | 1.3        | (33.0) | 170       | (77.1)   | 133            | (2.3)    | BLUE         |
| SH-23       | 1.5        | (38.0) | 225       | (102.1)  | 179            | (3.2)    | YELLOW       |
| SH-24       | 1.2        | (30.5) | 325       | (147.5)  | 264            | (4.7)    | BROWN        |
| SH-25       | 1.2        | (30.5) | 480       | (204.3)  | 368            | (6.5)    | RED          |
| SH-26       | 1.2        | (30.5) | 600       | (272.4)  | 513            | (9.1)    | PURPLE       |
| SH-27       | 1.1        | (28.0) | 750       | (340.5)  | 707            | (12.6)   | ORANGE       |
| SH-28       | 1.0        | (25.4) | 900       | (408.6)  | 881            | (15.7)   | GREEN        |
| SH-31       | 0.8        | (20.3) | 1100      | (499.4)  | 1327           | (23.7)   | GRAY         |
| SH-32       | 0.8        | (20.3) | 1300      | (589.6)  | 1758           | (31.4)   | WHITE        |
| SHW-200     | 1.3        | (33.0) | 125       | (56.7)   | 100            | (1.7)    | BLUE         |
| SHW-400     | 1.3        | (33.0) | 400       | (181.6)  | 303            | (5.4)    | BLACK        |
| SHW-600     | 1.3        | (33.0) | 700       | (317.8)  | 620            | (11.0)   | RED          |
| SHW-1000    | 1.1        | (28.0) | 1060      | (481.2)  | 962            | (17.0)   | GREEN        |
| SHW-1300    | 1.0        | (25.4) | 1300      | (590.2)  | 1300           | (23.2)   | YELLOW       |
| SHW-1600    | 1.0        | (25.4) | 1600      | (726.4)  | 1600           | (28.6)   | GRAY         |
| SHW-1625    | 1.0        | (25.4) | 2050      | (930.7)  | 1968           | (35.2)   | GRAY/RED     |
| SHW-1626    | 1.0        | (25.4) | 2500      | (1135.0) | 2481           | (44.3)   | GRAY/GREEN   |
| SHW-2-1600  | 1.0        | (25.4) | 3200      | (1451.5) | 3200           | (47.6)   | GRAY         |
| SHW-2-1625  | 1.0        | (25.4) | 4100      | (1859.7) | 3936           | (58.7)   | GRAY/RED     |
| SHW-2-1626  | 1.0        | (25.4) | 5000      | (2268.0) | 4962           | (73.6)   | GRAY/GREEN   |

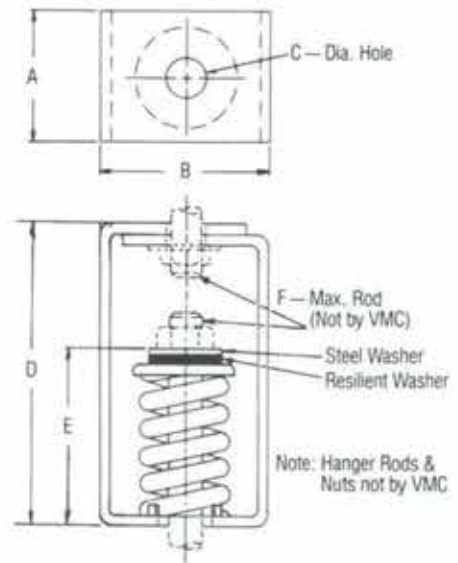
## SERIES SH

1½" & 2" deflection



Dimensions: in. (mm)

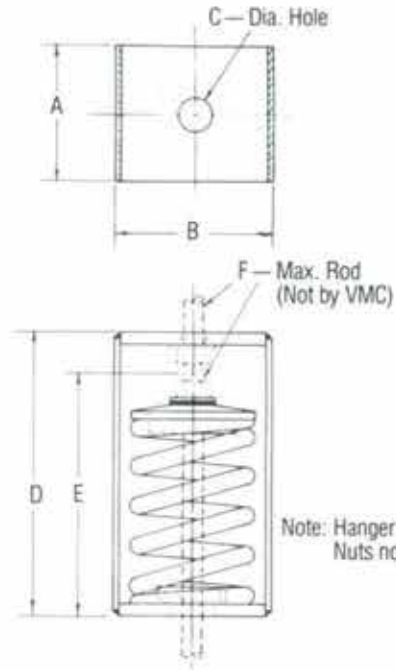
| TYPE & SIZE      | A              | B             | C             | D               | E              | F            |
|------------------|----------------|---------------|---------------|-----------------|----------------|--------------|
| SHM 100 thru 109 | 4½"<br>(114.3) | 5"<br>(127.0) | 1½"<br>(38.1) | 10¼"<br>(260.0) | 8½"<br>(165.0) | ½"<br>(22.2) |
| SHD 50 thru 553  | 4½"<br>(114.3) | 5"<br>(127.0) | 1½"<br>(38.1) | 10¼"<br>(260.0) | 7"<br>(177.8)  | ¾"<br>(22.2) |



| TYPE & SIZE | DEFLECTION |        | MAX. LOAD |         | SPRING CONSTR. |         | SPRING COLOR |
|-------------|------------|--------|-----------|---------|----------------|---------|--------------|
|             | in.        | (mm)   | lbs.      | (kg)    | lbs./in.       | (kg/mm) |              |
| SHM-100     | 1.5        | (38.1) | 100       | (45.4)  | .67            | (1.2)   | BROWN        |
| SHM-101     | 1.5        | (38.1) | 200       | (90.8)  | 1.33           | (2.3)   | ORANGE       |
| SHM-102     | 1.5        | (38.1) | 400       | (181.6) | 2.66           | (4.7)   | GREEN        |
| SHM-103     | 1.5        | (38.1) | 600       | (272.4) | 4.00           | (7.1)   | RED          |
| SHM-104     | 1.5        | (38.1) | 800       | (363.2) | 5.33           | (9.5)   | BLACK        |
| SHM-105     | 1.5        | (38.1) | 1000      | (454.0) | 6.66           | (11.9)  | WHITE        |
| SHM-106     | 1.5        | (38.1) | 1250      | (567.5) | 8.33           | (14.9)  | GRAY         |
| SHM-107     | 1.5        | (38.1) | 1500      | (681.0) | 10.00          | (17.8)  | BLUE         |
| SHM-108     | 1.5        | (38.1) | 1750      | (794.5) | 11.66          | (20.8)  | YELLOW       |
| SHM-109     | 1.5        | (38.1) | 2000      | (908.0) | 13.33          | (23.8)  | PINK         |
| SHD-50      | 2.0        | (50.8) | 150       | (68.1)  | .75            | (1.3)   | BLUE         |
| SHD-51      | 2.0        | (50.8) | 276       | (125.3) | 1.38           | (2.4)   | BLACK        |
| SHD-510     | 2.0        | (50.8) | 426       | (193.4) | 2.13           | (3.8)   | BLACK/BLUE   |
| SHD-52      | 2.0        | (50.8) | 500       | (227.0) | 2.50           | (4.4)   | RED          |
| SHD-520     | 2.0        | (50.8) | 650       | (295.1) | 3.25           | (5.8)   | RED/BLUE     |
| SHD-521     | 2.0        | (50.8) | 776       | (352.3) | 3.88           | (6.9)   | RED/BLACK    |
| SHD-53      | 2.0        | (50.8) | 1000      | (454.0) | 5.00           | (8.9)   | GREEN        |
| SHD-530     | 2.0        | (50.8) | 1150      | (522.1) | 5.75           | (10.2)  | GREEN/BLUE   |
| SHD-531     | 2.0        | (50.8) | 1276      | (579.3) | 6.38           | (11.4)  | GREEN/BLACK  |
| SHD-532     | 2.0        | (50.8) | 1500      | (681.0) | 7.50           | (13.4)  | GREEN/RED    |
| SHD-551     | 2.0        | (50.8) | 1676      | (760.9) | 8.38           | (14.9)  | GRAY/BLACK   |
| SHD-552     | 2.0        | (50.8) | 1900      | (862.6) | 9.50           | (17.0)  | GRAY/RED     |
| SHD-553     | 2.0        | (50.8) | 2200      | (998.8) | 11.00          | (19.8)  | GRAY/GREEN   |

## SERIES SH

### 3" & 5" deflection



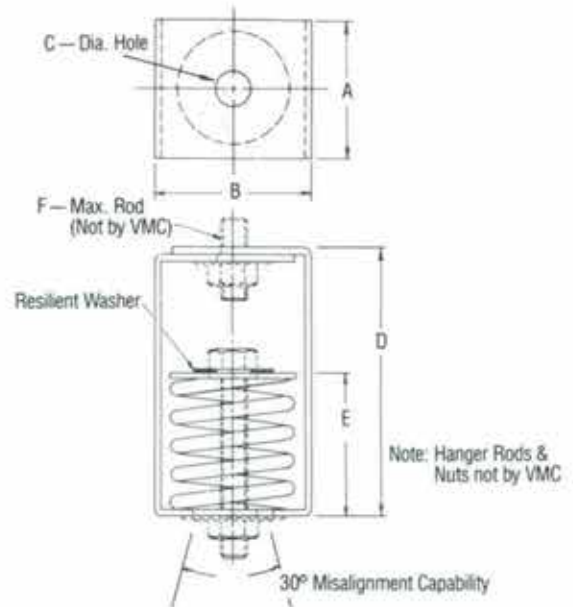
Dimensions: in. (mm)

| TYPE & SIZE     | A                 | B                 | C                | D                  | E                  | F                |
|-----------------|-------------------|-------------------|------------------|--------------------|--------------------|------------------|
| SH 801 thru 805 | 4 1/2"<br>(114.3) | 3 1/2"<br>(89.1)  | 1"<br>(25.4)     | 10"<br>(254.0)     | 8 1/2"<br>(215.9)  | 3"<br>(76.2)     |
| SH 806 thru 808 | 6"<br>(152.4)     | 7"<br>(177.8)     | 1"<br>(25.4)     | 13 1/2"<br>(342.9) | 10"<br>(254.0)     | 1 1/2"<br>(38.1) |
| SH 809/810      | 6"<br>(152.4)     | 7"<br>(177.8)     | 1"<br>(25.4)     | 13 1/2"<br>(342.9) | 10 1/2"<br>(266.7) | 1 1/2"<br>(38.1) |
| SH 821 thru 823 | 6"<br>(152.4)     | 7"<br>(177.8)     | 1"<br>(25.4)     | 13 1/2"<br>(342.9) | 10 1/2"<br>(266.7) | 1 1/2"<br>(38.1) |
| SH 824 thru 826 | 6"<br>(152.4)     | 7"<br>(177.8)     | 1"<br>(25.4)     | 13 1/2"<br>(342.9) | 11 1/2"<br>(291.8) | 1 1/2"<br>(38.1) |
| SH 827 thru 830 | 7"<br>(177.8)     | 8 1/2"<br>(215.9) | 1 1/2"<br>(38.1) | 16"<br>(406.4)     | 13 1/2"<br>(342.9) | 1"<br>(25.4)     |
| SH 831/832      | 7"<br>(177.8)     | 8 1/2"<br>(215.9) | 1 1/2"<br>(38.1) | 16"<br>(406.4)     | 14"<br>(355.6)     | 1"<br>(25.4)     |

| TYPE & SIZE | DEFLECTION |         | MAX. LOAD |          | SPRING CONSTR. |         | SPRING COLOR |
|-------------|------------|---------|-----------|----------|----------------|---------|--------------|
|             | in.        | (mm)    | lbf.      | (kg)     | lbf./in.       | (kg/mm) |              |
| SH 801      | 3          | (76.2)  | 75        | (34.0)   | 25             | (0.4)   | GRAY         |
| SH 802      | 3          | (76.2)  | 112       | (50.8)   | 37.5           | (0.6)   | PINK         |
| SH 803      | 3          | (76.2)  | 168       | (76.2)   | 56             | (1.0)   | BROWN        |
| SH 804      | 3          | (76.2)  | 253       | (114.7)  | 84             | (1.5)   | BLUE         |
| SH 805      | 3          | (76.2)  | 380       | (172.3)  | 127            | (2.2)   | RED          |
| SH 806      | 3          | (76.2)  | 570       | (258.5)  | 190            | (3.3)   | WHITE        |
| SH 807      | 3          | (76.2)  | 855       | (387.8)  | 285            | (5.0)   | GREEN        |
| SH 808      | 3          | (76.2)  | 1280      | (580.6)  | 427            | (7.6)   | BLACK        |
| SH 809      | 3          | (76.2)  | 1920      | (870.9)  | 640            | (11.4)  | YELLOW       |
| SH 810      | 3          | (76.2)  | 2880      | (1306.3) | 960            | (17.1)  | PURPLE       |
| SH 821      | 5          | (127.0) | 120       | (54.4)   | 24             | (0.4)   | ORANGE       |
| SH 822      | 5          | (127.0) | 160       | (72.5)   | 32             | (0.5)   | GRAY         |
| SH 823      | 5          | (127.0) | 214       | (97.0)   | 42.8           | (0.7)   | PINK         |
| SH 824      | 5          | (127.0) | 285       | (129.2)  | 57             | (1.0)   | BROWN        |
| SH 825      | 5          | (127.0) | 380       | (172.3)  | 76             | (1.3)   | BLUE         |
| SH 826      | 5          | (127.0) | 510       | (231.3)  | 102            | (1.8)   | RED          |
| SH 827      | 5          | (127.0) | 678       | (307.5)  | 136            | (2.4)   | WHITE        |
| SH 828      | 5          | (127.0) | 904       | (410.0)  | 181            | (3.2)   | GREEN        |
| SH 829      | 5          | (127.0) | 1200      | (544.3)  | 240            | (4.2)   | BLACK        |
| SH 830      | 5          | (127.0) | 1610      | (730.2)  | 322            | (5.7)   | YELLOW       |
| SH 831      | 5          | (127.0) | 2150      | (975.2)  | 430            | (7.6)   | PURPLE       |
| SH 832      | 5          | (127.0) | 2870      | (1301.8) | 574            | (10.2)  | ORANGE       |

# SERIES SH 30A

1"/1½"/2" deflection



Dimensions: in. (mm)

| TYPE & SIZE          | A           | B           | C           | D            | E           | F         |
|----------------------|-------------|-------------|-------------|--------------|-------------|-----------|
| SH 30A 6 thru 10     | 2¼" (57.0)  | 2¾" (69.8)  | ¾" (14.2)   | 4½" (114.3)  | 2¼" (73.0)  | ¾" (9.5)  |
| SH 30A 11 thru 16    | 2¼" (57.0)  | 3" (76.2)   | 7⁄8" (20.6) | 5½" (139.7)  | 3¼" (79.3)  | ¾" (15.8) |
| SH 30A 92 thru 99    | 3" (76.2)   | 3¼" (85.2)  | 1½" (38.1)  | 8½" (209.5)  | 4½" (111.0) | ¾" (19.0) |
| SH 30A 6W thru 16W   | 4½" (114.3) | 5" (127.0)  | 1½" (38.1)  | 10¼" (260.0) | 4½" (117.4) | 1" (25.4) |
| SH 30A 20W/25W       | 4½" (114.3) | 5¼" (136.5) | 1¾" (30.2)  | 12¼" (344.7) | 6" (152.4)  | 1" (25.4) |
| SHM 30A 101 thru 109 | 4½" (114.3) | 5" (127.0)  | 1½" (38.1)  | 10¼" (260.0) | 6" (152.4)  | ¾" (22.2) |
| SHD 30A 50 thru 55   | 4½" (114.3) | 5" (127.0)  | 1½" (38.1)  | 10¼" (260.0) | 7" (177.8)  | ¾" (22.2) |



| TYPE & SIZE | DEFLECTION |        | MAX. LOAD |          | SPRING CONSTR. |         | SPRING COLOR |
|-------------|------------|--------|-----------|----------|----------------|---------|--------------|
|             | in.        | (mm)   | lbs.      | (kg)     | lbs./in.       | (kg/mm) |              |
| SH 30A 6    | 1.3        | (33.0) | 21        | (9.5)    | 16             | (0.3)   | BLUE         |
| SH 30A 7    | 1.3        | (33.0) | 39        | (17.7)   | 30             | (0.5)   | BLACK        |
| SH 30A 8    | 1.1        | (28.0) | 50        | (22.7)   | 46             | (0.8)   | RED          |
| SH 30A 9    | 1.0        | (25.4) | 80        | (36.3)   | 80             | (1.4)   | GREEN        |
| SH 30A 10   | 1.0        | (25.4) | 105       | (47.6)   | 105            | (1.8)   | GRAY         |
| SH 30A 11   | 1.3        | (33.0) | 60        | (27.2)   | 46             | (0.8)   | BLUE         |
| SH 30A 12   | 1.3        | (33.0) | 100       | (45.4)   | 78             | (1.4)   | ORANGE       |
| SH 30A 13   | 1.2        | (30.4) | 165       | (74.9)   | 133            | (2.3)   | BROWN        |
| SH 30A 14   | 1.0        | (25.4) | 260       | (118.0)  | 263            | (4.7)   | BLACK        |
| SH 30A 16   | 0.8        | (20.3) | 370       | (167.9)  | 493            | (8.8)   | YELLOW       |
| SH 30A 92   | 1.3        | (33.0) | 125       | (56.7)   | 96             | (1.7)   | BROWN        |
| SH 30A 93   | 1.3        | (33.0) | 225       | (102.1)  | 173            | (3.0)   | ORANGE       |
| SH 30A 94   | 1.2        | (30.4) | 325       | (147.5)  | 270            | (4.8)   | GREEN        |
| SH 30A 95   | 1.2        | (30.4) | 450       | (204.3)  | 368            | (6.5)   | RED          |
| SH 30A 96   | 1.2        | (30.4) | 600       | (272.4)  | 513            | (9.1)   | BLACK        |
| SH 30A 97   | 1.1        | (27.9) | 750       | (340.5)  | 707            | (12.6)  | WHITE        |
| SH 30A 98   | 1.0        | (25.4) | 900       | (406.6)  | 881            | (15.7)  | GRAY         |
| SH 30A 99   | 0.9        | (22.8) | 1100      | (499.4)  | 1200           | (21.4)  | BLUE         |
| SH 30A 6W   | 1.0        | (25.4) | 650       | (295.0)  | 620            | (11.0)  | RED          |
| SH 30A 10W  | 1.0        | (25.4) | 1000      | (454.0)  | 952            | (17.0)  | GREEN        |
| SH 30A 13W  | 1.0        | (25.4) | 1300      | (590.2)  | 1300           | (23.2)  | YELLOW       |
| SH 30A 16W  | 1.0        | (25.4) | 1600      | (726.4)  | 1600           | (28.6)  | GRAY         |
| SH 30A 20W  | 1.0        | (25.4) | 2000      | (908.0)  | 2000           | (35.7)  | BROWN        |
| SH 30A 25W  | 1.0        | (25.4) | 2500      | (1135.0) | 2500           | (44.7)  | ORANGE       |
| SHM 30A 100 | 1.5        | (38.1) | 100       | (45.4)   | 67             | (1.2)   | BROWN        |
| SHM 30A 101 | 1.5        | (38.1) | 200       | (90.8)   | 133            | (2.3)   | ORANGE       |
| SHM 30A 102 | 1.5        | (38.1) | 400       | (181.6)  | 266            | (4.7)   | GREEN        |
| SHM 30A 103 | 1.5        | (38.1) | 600       | (272.4)  | 400            | (7.1)   | RED          |
| SHM 30A 104 | 1.5        | (38.1) | 800       | (363.2)  | 533            | (9.5)   | BLACK        |
| SHM 30A 105 | 1.5        | (38.1) | 1000      | (454.0)  | 666            | (11.9)  | WHITE        |
| SHM 30A 106 | 1.5        | (38.1) | 1250      | (567.5)  | 833            | (14.9)  | GRAY         |
| SHM 30A 107 | 1.5        | (38.1) | 1500      | (681.0)  | 1000           | (17.8)  | BLUE         |
| SHM 30A 108 | 1.5        | (38.1) | 1750      | (794.5)  | 1166           | (20.8)  | YELLOW       |
| SHM 30A 109 | 1.5        | (38.1) | 2000      | (908.0)  | 1333           | (23.8)  | PINK         |
| SHD 30A 50  | 2.0        | (50.8) | 150       | (68.1)   | 75             | (1.3)   | BLUE         |
| SHD 30A 51  | 2.0        | (50.8) | 276       | (125.3)  | 138            | (2.4)   | BLACK        |
| SHD 30A 52  | 2.0        | (50.8) | 500       | (227.0)  | 250            | (4.4)   | RED          |
| SHD 30A 53  | 2.0        | (50.8) | 1000      | (454.0)  | 500            | (8.9)   | GREEN        |
| SHD 30A 55  | 2.0        | (50.8) | 1400      | (635.6)  | 700            | (12.5)  | GRAY         |

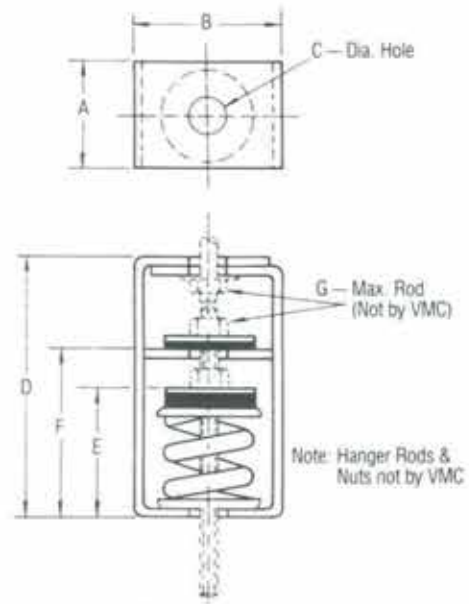
## SERIES SHP

1" & 2" deflection



Dimensions: in. (mm)

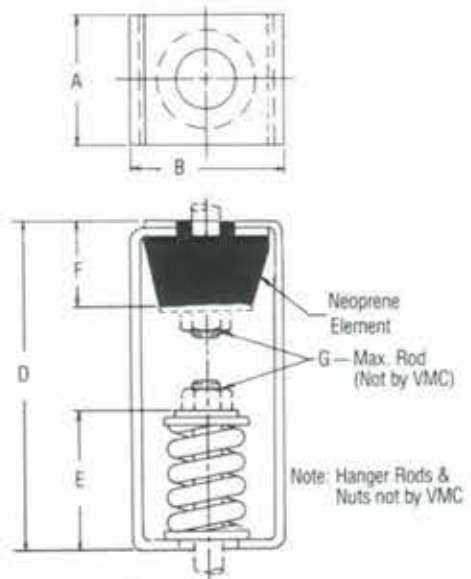
| TYPE & SIZE           | A              | B              | C             | D               | E              | F              | G             |
|-----------------------|----------------|----------------|---------------|-----------------|----------------|----------------|---------------|
| SHSP-11 thru 18       | 3" (76.2)      | 3 1/2" (82.5)  | 1 1/2" (31.7) | 7" (177.8)      | 3 1/2" (79.3)  | 4 1/2" (107.9) | 1 1/2" (31.8) |
| SHP-19 thru 37        | 4 1/2" (114.3) | 5" (127)       | 1 1/2" (38.1) | 10 1/2" (260.0) | 4 1/2" (112.8) | 6 1/2" (174.8) | 1 1/2" (31.8) |
| SHWP-200 thru 1000    | 4 1/2" (114.3) | 5" (127)       | 1 1/2" (38.1) | 10 1/2" (260.0) | 4 1/2" (112.8) | 6 1/2" (174.8) | 1" (25.4)     |
| SHWP-1600 thru 1628   | 4 1/2" (114.3) | 5" (127)       | 1 1/2" (38.1) | 10 1/2" (260.0) | 4 1/2" (112.8) | 6 1/2" (174.8) | 1" (25.4)     |
| SHWP-2-1600 thru 1628 | 5" (127.0)     | 10" (254.0)    | 1 1/2" (31.7) | 12" (304.8)     | 6 1/2" (162.8) | 8 1/2" (215.9) | 1 1/2" (38.1) |
| SHDP-50 thru 553      | 4" (101.6)     | 4 1/2" (106.6) | 1 1/2" (38.1) | 12 1/2" (314.3) | 7" (177.8)     | 8 1/2" (209.5) | 1 1/2" (31.8) |



| TYPE & SIZE | DEFLECTION |        | MAX. LOAD |          | SPRING CONSTR. |         | SPRING COLOR |
|-------------|------------|--------|-----------|----------|----------------|---------|--------------|
|             | in.        | (mm)   | lbs       | (kg)     | lbs./in.       | (kg/mm) |              |
| SHSP-11     | 1.3        | (33.0) | 60        | (27.2)   | 46             | (0.8)   | BLUE         |
| SHSP-12     | 1.3        | (33.0) | 100       | (45.4)   | 76             | (1.4)   | ORANGE       |
| SHSP-13     | 1.2        | (30.4) | 165       | (74.9)   | 133            | (2.3)   | BROWN        |
| SHSP-14     | 1.0        | (25.4) | 260       | (118.0)  | 263            | (4.7)   | BLACK        |
| SHSP-16     | 0.8        | (20.3) | 370       | (167.9)  | 493            | (8.8)   | YELLOW       |
| SHSP-17     | 0.5        | (12.7) | 450       | (204.3)  | 900            | (16.1)  | RED          |
| SHSP-18     | 0.5        | (12.7) | 700       | (317.8)  | 1556           | (27.8)  | GREEN        |
| SHSP-19     | 1.4        | (35.5) | 85        | (38.5)   | 62.5           | (1.1)   | PINK         |
| SHSP-21     | 1.3        | (33.0) | 115       | (52.2)   | 87             | (1.5)   | BLACK        |
| SHSP-22     | 1.3        | (33.0) | 170       | (77.1)   | 133            | (2.3)   | BLUE         |
| SHSP-23     | 1.3        | (33.0) | 225       | (102.1)  | 179            | (3.2)   | YELLOW       |
| SHSP-24     | 1.2        | (30.4) | 325       | (147.5)  | 264            | (4.7)   | BROWN        |
| SHSP-25     | 1.2        | (30.4) | 450       | (204.3)  | 368            | (6.5)   | RED          |
| SHSP-26     | 1.2        | (30.4) | 600       | (272.4)  | 513            | (9.1)   | PURPLE       |
| SHSP-27     | 1.1        | (27.9) | 710       | (340.5)  | 707            | (12.6)  | ORANGE       |
| SHSP-28     | 1.0        | (25.4) | 900       | (408.6)  | 881            | (15.7)  | GREEN        |
| SHSP-31     | 0.8        | (20.3) | 1100      | (499.4)  | 1327           | (23.7)  | GRAY         |
| SHSP-32     | 0.8        | (20.3) | 1300      | (590.2)  | 1758           | (31.4)  | WHITE        |
| SHWP-200    | 1.3        | (33.0) | 125       | (56.7)   | 100            | (1.7)   | BLUE         |
| SHWP-400    | 1.3        | (33.0) | 400       | (181.6)  | 303            | (5.4)   | BLACK        |
| SHWP-600    | 1.0        | (25.4) | 700       | (317.8)  | 620            | (11.0)  | RED          |
| SHWP-1000   | 1.0        | (25.4) | 1060      | (481.2)  | 952            | (17.0)  | GREEN        |
| SHWP-1300   | 1.0        | (25.4) | 1300      | (590.2)  | 1300           | (23.2)  | YELLOW       |
| SHWP-1600   | 1.0        | (25.4) | 1600      | (726.4)  | 1600           | (28.6)  | GRAY         |
| SHWP-1625   | 1.0        | (25.4) | 2050      | (930.7)  | 1968           | (35.2)  | GRAY/BLUE    |
| SHWP-1628   | 1.0        | (25.4) | 2500      | (1135.0) | 2481           | (44.3)  | GRAY/GREEN   |
| SHWP-2-1600 | 1.0        | (25.4) | 3200      | (1451.5) | 3200           | (47.6)  | GRAY         |
| SHWP-2-1625 | 1.0        | (25.4) | 4100      | (1859.7) | 3936           | (58.7)  | GRAY/RED     |
| SHWP-2-1628 | 1.0        | (25.4) | 5000      | (2268.0) | 4962           | (73.8)  | GRAY/GREEN   |
| SHDP-50     | 2.0        | (50.8) | 150       | (68.1)   | 75             | (1.3)   | BLUE         |
| SHDP-51     | 2.0        | (50.8) | 276       | (125.3)  | 138            | (2.4)   | BLACK        |
| SHDP-510    | 2.0        | (50.8) | 426       | (193.4)  | 213            | (3.8)   | BLACK/BLUE   |
| SHDP-52     | 2.0        | (50.8) | 500       | (227.0)  | 250            | (4.4)   | RED          |
| SHDP-520    | 2.0        | (50.8) | 650       | (295.1)  | 325            | (5.8)   | RED/BLUE     |
| SHDP-521    | 2.0        | (50.8) | 776       | (352.3)  | 388            | (6.9)   | RED/BLACK    |
| SHDP-53     | 2.0        | (50.8) | 1000      | (454.0)  | 500            | (8.9)   | GREEN        |
| SHDP-530    | 2.0        | (50.8) | 1150      | (522.1)  | 575            | (10.2)  | GREEN/BLUE   |
| SHDP-531    | 2.0        | (50.8) | 1276      | (579.3)  | 638            | (11.4)  | GREEN/BLACK  |
| SHDP-532    | 2.0        | (50.8) | 1500      | (681.0)  | 750            | (13.4)  | GREEN/RED    |
| SHDP-551    | 2.0        | (50.8) | 1676      | (760.9)  | 838            | (14.9)  | GRAY/BLACK   |
| SHDP-552    | 2.0        | (50.8) | 1900      | (826.6)  | 950            | (17.0)  | GRAY/RED     |
| SHDP-553    | 2.0        | (50.8) | 2200      | (998.8)  | 1100           | (19.6)  | GRAY/GREEN   |

# SERIES RSH

1" deflection



Dimensions: in. (mm)

| TYPE & SIZE           | A                 | B                | D                  | E                 | F                | G                |
|-----------------------|-------------------|------------------|--------------------|-------------------|------------------|------------------|
|                       |                   |                  |                    |                   |                  |                  |
| RSHS 6 thru 10        | 2 1/4"<br>(57.0)  | 2 1/2"<br>(69.8) | 5 1/4"<br>(133.3)  | 2 1/2"<br>(73.0)  | 1 1/4"<br>(23.8) | 5/8"<br>(9.5)    |
| RSHS 11 thru 18       | 3"<br>(76.2)      | 3 1/4"<br>(95.2) | 7"<br>(177.8)      | 3"<br>(76.2)      | 1 1/2"<br>(38.0) | 3/4"<br>(15.8)   |
| RSH 19 thru 32        | 3"<br>(76.2)      | 3 1/2"<br>(95.2) | 8 1/4"<br>(209.5)  | 4 1/2"<br>(111.0) | 2 1/2"<br>(53.9) | 1/2"<br>(19.0)   |
| RSHW 200 thru 1000    | 4 1/2"<br>(114.3) | 5"<br>(127.0)    | 10 1/4"<br>(260.0) | 4 1/2"<br>(117.4) | 2 1/2"<br>(53.9) | 1"<br>(25.4)     |
| RSHW 1300 thru 1628   | 4 1/2"<br>(114.3) | 5"<br>(127.0)    | 10 1/4"<br>(260.0) | 4 1/2"<br>(117.4) | 2 1/2"<br>(53.9) | 1"<br>(25.4)     |
| RSHW 2 1600 thru 1628 | 5"<br>(127.0)     | 11"<br>(279.4)   | 16"<br>(406.4)     | 6 1/2"<br>(165.0) | 4"<br>(101.6)    | 1 1/4"<br>(38.5) |

| TYPE & SIZE | DEFLECTION |        | MAX. LOAD |          | SPRING CONSTR. |         | SPRING COLOR |
|-------------|------------|--------|-----------|----------|----------------|---------|--------------|
|             | in.        | (mm)   | lbs.      | (kg)     | lbs./in.       | (kg/mm) |              |
| RSHS 6      | 1.5        | (38.1) | 21        | (9.5)    | 16             | (0.2)   | BLUE         |
| RSHS 7      | 1.5        | (38.1) | 39        | (17.7)   | 30             | (0.5)   | BLACK        |
| RSHS 8      | 1.3        | (33.0) | 50        | (22.7)   | 46             | (0.8)   | RED          |
| RSHS 9      | 1.2        | (30.4) | 80        | (36.3)   | 80             | (1.4)   | GREEN        |
| RSHS 10     | 1.2        | (30.4) | 105       | (47.6)   | 105            | (1.8)   | GRAY         |
| RSHS 11     | 1.5        | (38.1) | 60        | (27.2)   | 46             | (0.8)   | BLUE         |
| RSHS 12     | 1.5        | (38.1) | 100       | (45.4)   | 78             | (1.4)   | ORANGE       |
| RSHS 13     | 1.4        | (35.5) | 165       | (74.9)   | 133            | (2.3)   | BROWN        |
| RSHS 14     | 1.2        | (30.4) | 260       | (118.0)  | 263            | (4.7)   | BLACK        |
| RSHS 16     | 1.1        | (27.9) | 370       | (167.9)  | 493            | (8.8)   | YELLOW       |
| RSHS 17     | 0.7        | (17.7) | 450       | (204.3)  | 900            | (16.1)  | RED          |
| RSHS 18     | 0.7        | (17.7) | 700       | (317.6)  | 1556           | (27.8)  | GREEN        |
| RSH 19      | 1.6        | (40.6) | 85        | (38.5)   | 62.5           | (1.1)   | PINK         |
| RSH 21      | 1.5        | (38.1) | 115       | (52.2)   | 87             | (1.5)   | BLACK        |
| RSH 22      | 1.5        | (38.1) | 170       | (77.1)   | 133            | (2.3)   | BLUE         |
| RSH 23      | 1.5        | (38.1) | 225       | (102.1)  | 179            | (3.2)   | YELLOW       |
| RSH 24      | 1.4        | (35.5) | 325       | (147.5)  | 264            | (4.7)   | BROWN        |
| RSH 25      | 1.4        | (35.5) | 450       | (204.3)  | 368            | (6.5)   | RED          |
| RSH 26      | 1.4        | (35.5) | 600       | (272.4)  | 513            | (9.1)   | PURPLE       |
| RSH 27      | 1.3        | (33.0) | 750       | (340.5)  | 707            | (12.6)  | ORANGE       |
| RSH 28      | 1.2        | (30.4) | 900       | (408.6)  | 881            | (15.7)  | GREEN        |
| RSH 31      | 1.0        | (25.4) | 1100      | (499.4)  | 1327           | (23.7)  | GRAY         |
| RSH 32      | 0.9        | (22.8) | 1300      | (590.2)  | 1758           | (31.4)  | WHITE        |
| RSHW 200    | 1.5        | (38.1) | 125       | (56.7)   | 100            | (1.7)   | BLUE         |
| RSHW 400    | 1.5        | (38.1) | 400       | (181.6)  | 303            | (5.4)   | BLACK        |
| RSHW 600    | 1.3        | (33.0) | 700       | (317.6)  | 620            | (11.0)  | RED          |
| RSHW 1000   | 1.3        | (33.0) | 1060      | (481.2)  | 952            | (17.0)  | GREEN        |
| RSHW 1300   | 1.2        | (30.4) | 1300      | (590.2)  | 1300           | (23.2)  | YELLOW       |
| RSHW 1600   | 1.2        | (30.4) | 1600      | (726.4)  | 1600           | (28.6)  | GRAY         |
| RSHW 1625   | 1.2        | (30.4) | 2050      | (930.7)  | 1968           | (35.2)  | GRAY/RED     |
| RSHW 1628   | 1.2        | (30.4) | 2500      | (1135.0) | 2481           | (44.3)  | GRAY/GREEN   |
| RSHW 2 1600 | 1.2        | (30.4) | 3200      | (1451.5) | 3200           | (47.6)  | GRAY         |
| RSHW 2 1625 | 1.2        | (30.4) | 4100      | (1859.7) | 3936           | (68.7)  | GRAY/RED     |
| RSHW 2 1628 | 1.2        | (30.4) | 5000      | (2268.0) | 4962           | (73.8)  | GRAY/GREEN   |



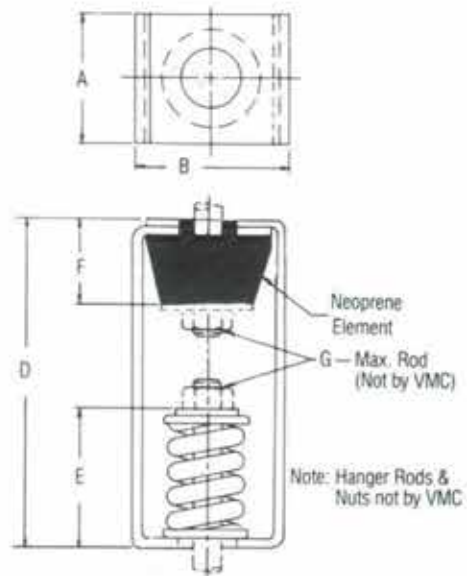
## SERIES RSH

1½" & 2" deflection



Dimensions: in. (mm)

| TYPE & SIZE       | A          | B           | D            | E           | F          | G         |
|-------------------|------------|-------------|--------------|-------------|------------|-----------|
| RSHM 100 thru 106 | 4" (101.6) | 4½" (113.0) | 17½" (314.3) | 6½" (158.7) | 24" (53.9) | 1" (25.4) |
| RSHM 107 thru 109 | 4" (101.6) | 4½" (113.0) | 12½" (314.3) | 6½" (158.7) | 28" (53.9) | 1" (25.4) |
| RSHD 50 thru 530  | 4" (101.6) | 4½" (113.0) | 12½" (314.3) | 7" (172.8)  | 24" (53.9) | 1" (25.4) |
| RSHD 531 thru 553 | 4" (101.6) | 4½" (113.0) | 12½" (314.3) | 7" (172.8)  | 24" (53.9) | 1" (25.4) |



| TYPE & SIZE | DEFLECTION |        | MAX. LOAD |         | SPRING CONSTR. |         | SPRING COLOR |
|-------------|------------|--------|-----------|---------|----------------|---------|--------------|
|             | in.        | (mm)   | lbs.      | (kg)    | lbs./in.       | (kg/mm) |              |
| RSHM 100    | 1.7        | (43.1) | 100       | (45.4)  | 57             | (1.2)   | BROWN        |
| RSHM 101    | 1.7        | (43.1) | 200       | (90.8)  | 133            | (2.3)   | ORANGE       |
| RSHM 102    | 1.7        | (43.1) | 400       | (181.6) | 266            | (4.7)   | GREEN        |
| RSHM 103    | 1.7        | (43.1) | 600       | (272.4) | 400            | (7.1)   | RED          |
| RSHM 104    | 1.7        | (43.1) | 800       | (363.2) | 533            | (9.5)   | BLACK        |
| RSHM 105    | 1.7        | (43.1) | 1000      | (454.0) | 666            | (11.9)  | WHITE        |
| RSHM 106    | 1.7        | (43.1) | 1250      | (567.5) | 833            | (14.9)  | GRAY         |
| RSHM 107    | 1.7        | (43.1) | 1500      | (681.0) | 1000           | (17.8)  | BLUE         |
| RSHM 108    | 1.7        | (43.1) | 1750      | (794.5) | 1166           | (20.8)  | YELLOW       |
| RSHM 109    | 1.7        | (43.1) | 2000      | (908.0) | 1333           | (23.8)  | PINK         |
| RSHD 50     | 2.2        | (50.8) | 150       | (68.1)  | 75             | (1.3)   | BLUE         |
| RSHD 51     | 2.2        | (50.8) | 276       | (125.3) | 138            | (2.4)   | BLACK        |
| RSHD 510    | 2.2        | (50.8) | 426       | (193.4) | 213            | (3.8)   | BLACK/BLUE   |
| RSHD 52     | 2.2        | (50.8) | 500       | (227.0) | 250            | (4.4)   | RED          |
| RSHD 520    | 2.2        | (50.8) | 650       | (295.1) | 325            | (5.8)   | RED/BLUE     |
| RSHD 521    | 2.2        | (50.8) | 776       | (352.3) | 388            | (6.9)   | RED/BLACK    |
| RSHD 53     | 2.2        | (50.8) | 1100      | (499.4) | 500            | (8.9)   | GREEN        |
| RSHD 530    | 2.2        | (50.8) | 1150      | (522.1) | 575            | (10.2)  | GREEN/BLUE   |
| RSHD 531    | 2.2        | (50.8) | 1276      | (579.3) | 638            | (11.4)  | GREEN/BLACK  |
| RSHD 532    | 2.2        | (50.8) | 1500      | (681.0) | 750            | (13.4)  | GREEN/RED    |
| RSHD 551    | 2.2        | (50.8) | 1676      | (760.9) | 838            | (14.9)  | GRAY/BLACK   |
| RSHD 552    | 2.2        | (50.8) | 1900      | (826.6) | 950            | (17.0)  | GRAY/RED     |
| RSHD 553    | 2.2        | (50.8) | 2200      | (998.8) | 1100           | (19.6)  | GRAY/GREEN   |

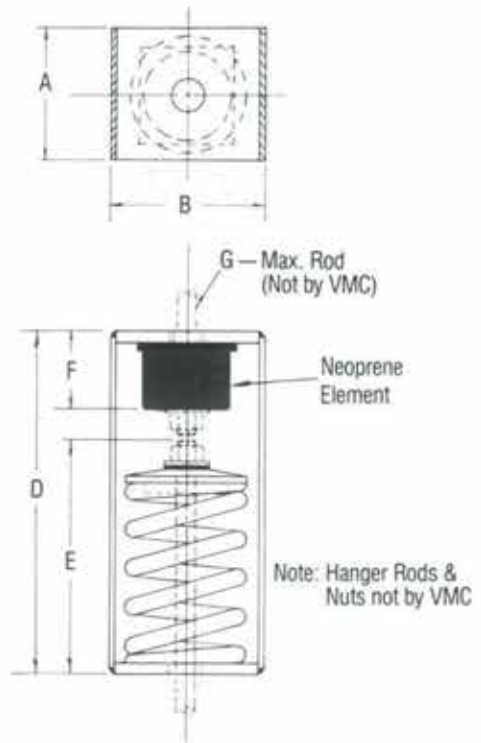
## SERIES RSH

3" & 5" deflection



Dimensions: in. (mm)

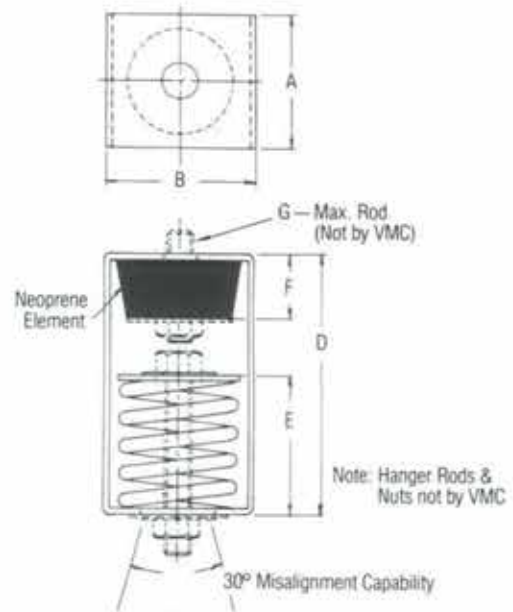
| TYPE & SIZE      | A       | B       | D       | E       | F      | G      |
|------------------|---------|---------|---------|---------|--------|--------|
|                  |         |         |         |         |        |        |
| RSH 801 thru 805 | 4 1/2"  | 5 1/4"  | 13"     | 8 1/2"  | 2"     | 1 1/4" |
|                  | (114.3) | (139.7) | (330.2) | (215.9) | (50.8) | (19.0) |
| RSH 806 thru 808 | 6"      | 7"      | 15 1/2" | 10"     | 2 1/4" | 1 1/4" |
|                  | (152.4) | (177.8) | (393.7) | (254.0) | (57.0) | (22.3) |
| RSH 809/810      | 6"      | 7"      | 15 1/2" | 10 1/4" | 2 1/4" | 1 1/4" |
|                  | (152.4) | (177.8) | (393.7) | (273.0) | (57.0) | (22.2) |
| RSH 821 thru 823 | 6"      | 7"      | 15 1/2" | 10 1/4" | 2"     | 1 1/4" |
|                  | (152.4) | (177.8) | (393.7) | (273.0) | (50.8) | (22.2) |
| RSH 824 thru 826 | 6"      | 7"      | 15 1/2" | 11 1/4" | 2"     | 1 1/4" |
|                  | (152.4) | (177.8) | (393.7) | (296.4) | (50.8) | (22.2) |
| RSH 827 thru 830 | 7"      | 8 1/2"  | 18"     | 13 1/2" | 2 1/2" | 1"     |
|                  | (177.8) | (215.9) | (457.2) | (342.9) | (57.0) | (25.4) |
| RSH 831/832      | 7"      | 8 1/2"  | 18"     | 14"     | 2 1/4" | 1"     |
|                  | (177.8) | (215.9) | (457.2) | (355.6) | (57.0) | (25.4) |



| TYPE & SIZE | DEFLECTION |         | MAX. LOAD |          | SPRING CONSTR. |         | SPRING COLOR |
|-------------|------------|---------|-----------|----------|----------------|---------|--------------|
|             | in.        | (mm)    | lbs       | (kg)     | lbs./in        | (kg/mm) |              |
| RSH 801     | 3          | (76.2)  | 75        | (34.0)   | 25             | (0.4)   | GRAY         |
| RSH 802     | 3          | (76.2)  | 112       | (50.8)   | 37.5           | (0.6)   | PINK         |
| RSH 803     | 3          | (76.2)  | 168       | (76.2)   | 56             | (1.0)   | BROWN        |
| RSH 804     | 3          | (76.2)  | 253       | (114.7)  | 84             | (1.5)   | BLUE         |
| RSH 805     | 3          | (76.2)  | 380       | (172.3)  | 127            | (2.2)   | RED          |
| RSH 806     | 3          | (76.2)  | 570       | (258.5)  | 190            | (3.3)   | WHITE        |
| RSH 807     | 3          | (76.2)  | 865       | (397.6)  | 285            | (5.0)   | GREEN        |
| RSH 808     | 3          | (76.2)  | 1280      | (580.6)  | 427            | (7.6)   | BLACK        |
| RSH 809     | 3          | (76.2)  | 1920      | (870.9)  | 640            | (11.4)  | YELLOW       |
| RSH 810     | 3          | (76.2)  | 2880      | (1306.3) | 960            | (17.1)  | PURPLE       |
| RSH 821     | 5          | (127.0) | 120       | (54.4)   | 24             | (0.4)   | ORANGE       |
| RSH 822     | 5          | (127.0) | 160       | (72.5)   | 32             | (0.5)   | GRAY         |
| RSH 823     | 5          | (127.0) | 214       | (97.0)   | 42.8           | (0.7)   | PINK         |
| RSH 824     | 5          | (127.0) | 285       | (129.2)  | 57             | (1.0)   | BROWN        |
| RSH 825     | 5          | (127.0) | 380       | (172.3)  | 76             | (1.3)   | BLUE         |
| RSH 826     | 5          | (127.0) | 510       | (231.3)  | 102            | (1.8)   | RED          |
| RSH 827     | 5          | (127.0) | 678       | (307.5)  | 136            | (2.4)   | WHITE        |
| RSH 828     | 5          | (127.0) | 904       | (410.0)  | 181            | (3.2)   | GREEN        |
| RSH 829     | 5          | (127.0) | 1200      | (544.3)  | 240            | (4.2)   | BLACK        |
| RSH 830     | 5          | (127.0) | 1610      | (730.2)  | 322            | (5.7)   | YELLOW       |
| RSH 831     | 5          | (127.0) | 2150      | (975.2)  | 430            | (7.6)   | PURPLE       |
| RSH 832     | 5          | (127.0) | 2870      | (1301.8) | 574            | (10.2)  | ORANGE       |

# SERIES RSH 30A

1"/1½"/2" deflection



Dimensions: in. (mm)

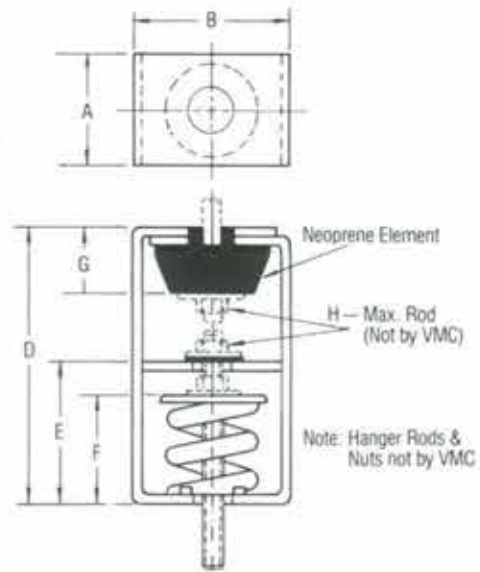
| TYPE & SIZE           | A              | B              | D               | E              | F             | G             |
|-----------------------|----------------|----------------|-----------------|----------------|---------------|---------------|
| RSH 30A 6 thru 10     | 2 1/4" (57.0)  | 2 1/4" (59.8)  | 5 1/4" (133.3)  | 2 1/4" (73.0)  | 1 1/4" (23.8) | 1/2" (9.5)    |
| RSH 30A 11 thru 16    | 3" (76.2)      | 3 1/4" (82.5)  | 7" (177.8)      | 3" (76.2)      | 1 1/4" (38.0) | 5/8" (15.8)   |
| RSH 30A 92 thru 99    | 4 1/2" (114.3) | 5" (127.0)     | 10 1/4" (260.0) | 4 1/2" (111.0) | 2 1/4" (53.9) | 1 1/4" (19.0) |
| RSH 30A 6W 10W        | 4 1/2" (114.3) | 5" (127.0)     | 10 1/4" (260.0) | 4 1/2" (117.4) | 2 1/4" (53.9) | 1 1/4" (25.4) |
| RSH 30A 13W 16W       | 4 1/2" (114.3) | 5" (127.0)     | 10 1/4" (260.0) | 4 1/2" (117.4) | 2 1/4" (53.9) | 1 1/4" (25.4) |
| RSH 30A 20W 25W       | 4 1/2" (114.3) | 5 1/4" (136.5) | 12 1/4" (314.3) | 6" (152.4)     | 2 1/4" (53.9) | 1 1/4" (25.4) |
| RSHM 30A 100 thru 106 | 4 1/2" (114.3) | 5 1/4" (136.5) | 12 1/4" (314.3) | 6 1/4" (158.7) | 2 1/4" (53.9) | 1 1/4" (25.4) |
| RSHM 30A 107 thru 109 | 4 1/2" (114.3) | 5 1/4" (136.5) | 12 1/4" (314.3) | 6 1/4" (158.7) | 2 1/4" (53.9) | 1 1/4" (25.4) |
| RSHD 30A 50 thru 52   | 4 1/2" (114.3) | 5 1/4" (136.5) | 12 1/4" (314.3) | 7" (177.8)     | 2 1/4" (53.9) | 1 1/4" (25.4) |
| RSHD 30A 53           | 4 1/2" (114.3) | 5 1/4" (136.5) | 12 1/4" (314.3) | 7" (177.8)     | 2 1/4" (53.9) | 1 1/4" (25.4) |
| RSHD 30A 55           | 4 1/2" (114.3) | 5 1/4" (136.5) | 12 1/4" (314.3) | 7" (177.8)     | 2 1/4" (53.9) | 1 1/4" (25.4) |



| TYPE & SIZE  | DEFLECTION |        | MAX. LOAD |          | SPRING CONSTR. |         | SPRING COLOR |
|--------------|------------|--------|-----------|----------|----------------|---------|--------------|
|              | in.        | (mm)   | lbs.      | (kg)     | lbs./in.       | (kg/mm) |              |
| RSH 30A 6    | 1.3        | (33.0) | 21        | (9.5)    | 16             | (0.3)   | BLUE         |
| RSH 30A 7    | 1.3        | (33.0) | 39        | (17.7)   | 30             | (0.5)   | BLACK        |
| RSH 30A 8    | 1.1        | (28.0) | 50        | (22.7)   | 46             | (0.8)   | RED          |
| RSH 30A 9    | 1.0        | (25.4) | 80        | (36.3)   | 80             | (1.4)   | GREEN        |
| RSH 30A 10   | 1.0        | (25.4) | 105       | (47.6)   | 105            | (1.8)   | GRAY         |
| RSH 30A 11   | 1.5        | (38.1) | 60        | (27.2)   | 46             | (0.8)   | BLUE         |
| RSH 30A 12   | 1.5        | (38.1) | 100       | (45.4)   | 78             | (1.4)   | ORANGE       |
| RSH 30A 13   | 1.5        | (38.1) | 165       | (74.9)   | 133            | (2.3)   | BROWN        |
| RSH 30A 14   | 1.2        | (30.4) | 260       | (118.0)  | 263            | (4.7)   | BLACK        |
| RSH 30A 16   | 1.0        | (25.4) | 370       | (167.9)  | 493            | (8.8)   | YELLOW       |
| RSH 30A 92   | 1.5        | (38.1) | 125       | (56.7)   | 96             | (1.7)   | BROWN        |
| RSH 30A 93   | 1.5        | (38.1) | 225       | (102.1)  | 173            | (3.0)   | ORANGE       |
| RSH 30A 94   | 1.4        | (35.5) | 325       | (147.5)  | 270            | (4.8)   | GREEN        |
| RSH 30A 95   | 1.4        | (35.5) | 450       | (204.3)  | 368            | (6.5)   | RED          |
| RSH 30A 96   | 1.4        | (35.5) | 600       | (272.4)  | 513            | (9.1)   | BLACK        |
| RSH 30A 97   | 1.3        | (33.0) | 750       | (340.5)  | 707            | (12.6)  | WHITE        |
| RSH 30A 98   | 1.2        | (30.4) | 900       | (408.6)  | 881            | (15.7)  | GRAY         |
| RSH 30A 99   | 1.1        | (27.9) | 1100      | (499.4)  | 1200           | (21.4)  | BLUE         |
| RSH 30A 6W   | 1.3        | (33.0) | 650       | (295.1)  | 620            | (11.0)  | RED          |
| RSH 30A 10W  | 1.3        | (33.0) | 1000      | (454.0)  | 952            | (17.0)  | GREEN        |
| RSH 30A 13W  | 1.2        | (30.4) | 1300      | (590.2)  | 1300           | (23.2)  | YELLOW       |
| RSH 30A 16W  | 1.2        | (30.4) | 1600      | (726.4)  | 1600           | (28.6)  | GRAY         |
| RSH 30A 20W  | 1.2        | (30.4) | 2000      | (908.0)  | 2000           | (35.7)  | BROWN        |
| RSH 30A 25W  | 1.2        | (30.4) | 2500      | (1135.0) | 2500           | (44.7)  | ORANGE       |
| RSHM 30A 100 | 1.7        | (43.1) | 100       | (45.4)   | 67             | (1.2)   | BROWN        |
| RSHM 30A 101 | 1.7        | (43.1) | 200       | (90.8)   | 133            | (2.3)   | ORANGE       |
| RSHM 30A 102 | 1.7        | (43.1) | 400       | (181.6)  | 266            | (4.7)   | GREEN        |
| RSHM 30A 103 | 1.7        | (43.1) | 600       | (272.4)  | 400            | (7.1)   | RED          |
| RSHM 30A 104 | 1.7        | (43.1) | 800       | (363.2)  | 533            | (9.5)   | BLACK        |
| RSHM 30A 105 | 1.7        | (43.1) | 1000      | (454.0)  | 666            | (11.9)  | WHITE        |
| RSHM 30A 106 | 1.7        | (43.1) | 1250      | (567.5)  | 833            | (14.9)  | GRAY         |
| RSHM 30A 107 | 1.7        | (43.1) | 1500      | (681.0)  | 1000           | (17.8)  | BLUE         |
| RSHM 30A 108 | 1.7        | (43.1) | 1750      | (794.5)  | 1166           | (20.8)  | YELLOW       |
| RSHM 30A 109 | 1.7        | (43.1) | 2000      | (908.0)  | 1333           | (23.8)  | PINK         |
| RSHD 30A 50  | 2.2        | (55.8) | 150       | (68.1)   | 75             | (1.3)   | BLUE         |
| RSHD 30A 51  | 2.2        | (55.8) | 276       | (125.3)  | 138            | (2.4)   | BLACK        |
| RSHD 30A 52  | 2.2        | (55.8) | 500       | (227.0)  | 250            | (4.4)   | RED          |
| RSHD 30A 53  | 2.2        | (55.8) | 1000      | (454.0)  | 500            | (8.9)   | GREEN        |
| RSHD 30A 55  | 2.2        | (55.8) | 1400      | (635.6)  | 700            | (12.5)  | GRAY         |

# SERIES RSHP

1" & 2" deflection



Dimensions: in. (mm)

| TYPE & SIZE            | A       | B       | D       | E       | F       | G       | H      |
|------------------------|---------|---------|---------|---------|---------|---------|--------|
|                        |         |         |         |         |         |         |        |
| RSHSP 11 thru 18       | 3"      | 3 1/4"  | 7"      | 3 1/4"  | 5 1/4"  | 1 1/2"  | 1/4"   |
|                        | (76.2)  | (82.5)  | (177.8) | (86.4)  | (139.3) | (38.0)  | (16.0) |
| RSHSP 19 thru 32       | 4"      | 4 1/2"  | 12 1/4" | 6 1/4"  | 4 1/4"  | 2 1/4"  | 3/8"   |
|                        | (101.6) | (120.6) | (314.3) | (158.7) | (117.4) | (53.9)  | (19.0) |
| RSHWP 200 thru 1000    | 4"      | 4 1/2"  | 12 1/4" | 6 1/4"  | 4 1/4"  | 2 1/4"  | 1"     |
|                        | (101.6) | (120.6) | (314.3) | (158.7) | (117.4) | (53.9)  | (25.4) |
| RSHWP 1300 thru 1628   | 4"      | 4 1/2"  | 12 1/4" | 6 1/4"  | 4 1/4"  | 2 1/4"  | 1"     |
|                        | (101.6) | (120.6) | (314.3) | (158.7) | (117.4) | (53.9)  | (25.4) |
| RSHDP 50 thru 530      | 4"      | 4 1/2"  | 15"     | 8 1/4"  | 7"      | 2 1/4"  | 1"     |
|                        | (101.6) | (120.6) | (381.0) | (209.5) | (177.8) | (53.9)  | (25.4) |
| RSHDP 531 thru 553     | 4"      | 4 1/2"  | 15"     | 8 1/4"  | 7"      | 2 1/4"  | 1"     |
|                        | (101.6) | (120.6) | (381.0) | (209.5) | (177.8) | (53.9)  | (25.4) |
| RSHWP 2 1600 thru 1628 | 5"      | 11"     | 16"     | 3 1/2"  | 6 1/4"  | 4"      | 1"     |
|                        | (127.0) | (279.4) | (406.4) | (91.3)  | (165.1) | (101.6) | (25.4) |

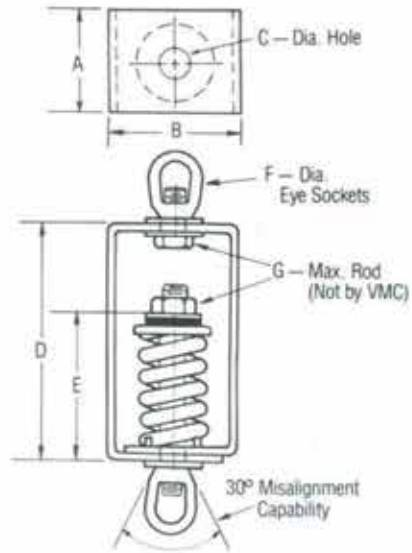
| TYPE & SIZE  | DEFLECTION |        | MAX. LOAD |          | SPRING CONSTR. |         | SPRING COLOR |
|--------------|------------|--------|-----------|----------|----------------|---------|--------------|
|              | in.        | (mm)   | lbs       | (kg)     | lbs./in        | (kg/mm) |              |
| RSHSP 11     | 1.6        | (40.6) | 60        | (27.2)   | 46             | (2.8)   | BLUE         |
| RSHSP 12     | 1.6        | (40.6) | 100       | (45.4)   | 78             | (1.4)   | ORANGE       |
| RSHSP 13     | 1.6        | (40.6) | 165       | (74.9)   | 133            | (2.3)   | BROWN        |
| RSHSP 14     | 1.5        | (38.1) | 280       | (127.1)  | 263            | (4.7)   | BLACK        |
| RSHSP 16     | 1.1        | (27.9) | 370       | (167.8)  | 493            | (8.8)   | YELLOW       |
| RSHSP 17     | 0.8        | (20.3) | 450       | (204.3)  | 900            | (16.1)  | RED          |
| RSHSP 18     | 0.8        | (20.3) | 700       | (317.8)  | 1556           | (27.8)  | GREEN        |
| RSHSP 19     | 1.7        | (43.1) | 85        | (38.5)   | 62.5           | (1.1)   | PINK         |
| RSHSP 21     | 1.6        | (40.6) | 115       | (52.2)   | 87             | (1.5)   | BLACK        |
| RSHSP 22     | 1.6        | (40.6) | 170       | (77.1)   | 133            | (2.3)   | BLUE         |
| RSHSP 23     | 1.6        | (40.6) | 225       | (102.1)  | 179            | (3.2)   | YELLOW       |
| RSHSP 24     | 1.5        | (38.1) | 325       | (147.5)  | 264            | (4.7)   | BROWN        |
| RSHSP 25     | 1.5        | (38.1) | 450       | (204.3)  | 368            | (6.5)   | RED          |
| RSHSP 26     | 1.5        | (38.1) | 600       | (272.4)  | 513            | (9.1)   | PURPLE       |
| RSHSP 27     | 1.4        | (35.5) | 750       | (340.5)  | 707            | (12.6)  | ORANGE       |
| RSHSP 28     | 1.3        | (33.0) | 900       | (408.6)  | 861            | (15.7)  | GREEN        |
| RSHSP 31     | 1.1        | (27.9) | 1100      | (499.4)  | 1327           | (23.7)  | GRAY         |
| RSHSP 32     | 1.0        | (25.4) | 1300      | (590.2)  | 1758           | (31.4)  | WHITE        |
| RSHWP 200    | 1.3        | (33.0) | 125       | (56.7)   | 100            | (1.7)   | BLUE         |
| RSHWP 400    | 1.5        | (38.1) | 400       | (181.6)  | 303            | (5.4)   | BLACK        |
| RSHWP 600    | 1.2        | (30.4) | 700       | (317.8)  | 620            | (11.0)  | RED          |
| RSHWP 1000   | 1.2        | (30.4) | 1060      | (481.2)  | 952            | (17.0)  | GREEN        |
| RSHWP 1300   | 1.2        | (30.4) | 1300      | (590.2)  | 1300           | (23.2)  | YELLOW       |
| RSHWP 1600   | 1.2        | (30.4) | 1600      | (726.4)  | 1600           | (28.6)  | GRAY         |
| RSHWP 1625   | 1.2        | (30.4) | 2050      | (930.7)  | 1968           | (35.2)  | GRAY/RED     |
| RSHWP 1628   | 1.2        | (30.4) | 2500      | (1135.0) | 2481           | (44.3)  | GRAY/GREEN   |
| RSHWP 2 1600 | 1.2        | (30.4) | 3200      | (1451.5) | 3200           | (47.6)  | GRAY         |
| RSHWP 2 1625 | 1.2        | (30.4) | 4100      | (1859.7) | 3936           | (58.7)  | GRAY/RED     |
| RSHWP 2 1628 | 1.2        | (30.4) | 5000      | (2268.0) | 4962           | (73.8)  | GRAY/GREEN   |
| RSHDP 50     | 2.2        | (50.8) | 150       | (68.1)   | 75             | (1.3)   | BLUE         |
| RSHDP 51     | 2.2        | (50.8) | 275       | (125.3)  | 138            | (2.4)   | BLACK        |
| RSHDP 510    | 2.2        | (50.8) | 426       | (193.4)  | 213            | (3.8)   | BLACK/BLUE   |
| RSHDP 52     | 2.2        | (50.8) | 500       | (227.0)  | 250            | (4.4)   | RED          |
| RSHDP 520    | 2.2        | (50.8) | 650       | (295.1)  | 325            | (5.8)   | RED/BLUE     |
| RSHDP 521    | 2.2        | (50.8) | 776       | (352.3)  | 388            | (6.9)   | RED/BLACK    |
| RSHDP 53     | 2.2        | (50.8) | 1000      | (454.0)  | 500            | (8.9)   | GREEN        |
| RSHDP 530    | 2.2        | (50.8) | 1150      | (522.1)  | 575            | (10.2)  | GREEN/BLUE   |
| RSHDP 531    | 2.2        | (50.8) | 1276      | (579.3)  | 638            | (11.4)  | GREEN/BLACK  |
| RSHDP 532    | 2.2        | (50.8) | 1500      | (681.0)  | 750            | (13.4)  | GREEN/RED    |
| RSHDP 551    | 2.2        | (50.8) | 1676      | (760.9)  | 838            | (14.9)  | GRAY/BLACK   |
| RSHDP 552    | 2.2        | (50.8) | 1900      | (862.6)  | 950            | (17.0)  | GRAY/RED     |
| RSHDP 553    | 2.2        | (50.8) | 2200      | (998.8)  | 1100           | (19.6)  | GRAY/GREEN   |

## SPECIALTY HANGERS

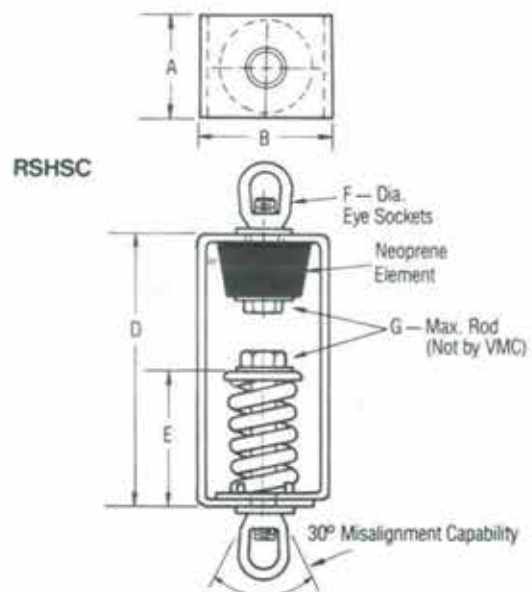


Dimensions: in. (mm)

| TYPE & SIZE      | DEFLECTION    |               | MAX. LOAD      |               | SPRING CONSTR. |            | SPRING COLOR |
|------------------|---------------|---------------|----------------|---------------|----------------|------------|--------------|
|                  | in.           | (mm)          | lbs.           | (kg)          | lbs./in.       | (kg/mm)    |              |
| SHSC 6 thru 10   | 2 1/4" (57.0) | 2 3/4" (69.8) | 4 1/2" (114.3) | 2 1/2" (73.0) | 1/4" (9.5)     | 1/4" (9.5) |              |
| SHSC 11 thru 16  | 2 1/4" (57.0) | 3" (76.2)     | 5 1/2" (139.7) | 2 3/4" (79.3) | 1/4" (9.5)     | 1/4" (9.5) |              |
| RSHSC 6 thru 10  | 2 1/4" (57.0) | 2 3/4" (69.8) | 5 1/2" (133.3) | 2 1/4" (73.0) | 1/4" (9.5)     | 1/4" (9.5) |              |
| RSHSC 11 thru 16 | 3" (76.2)     | 3 3/4" (95.2) | 7" (177.8)     | 3" (76.2)     | 1/4" (9.5)     | 1/4" (9.5) |              |



| TYPE & SIZE | DEFLECTION |        | MAX. LOAD |         | SPRING CONSTR. |         | SPRING COLOR |
|-------------|------------|--------|-----------|---------|----------------|---------|--------------|
|             | in.        | (mm)   | lbs.      | (kg)    | lbs./in.       | (kg/mm) |              |
| SHSC 6      | 1.3        | (33.0) | 21        | (9.5)   | 16             | (0.2)   | BLUE         |
| SHSC 7      | 1.3        | (33.0) | 39        | (17.7)  | 30             | (0.5)   | BLACK        |
| SHSC 8      | 1.1        | (27.9) | 50        | (22.7)  | 46             | (0.8)   | RED          |
| SHSC 9      | 1.0        | (25.4) | 80        | (36.3)  | 80             | (1.4)   | GREEN        |
| SHSC 10     | 1.0        | (25.4) | 105       | (47.6)  | 105            | (1.8)   | GRAY         |
| SHSC 11     | 1.3        | (33.0) | 60        | (27.2)  | 46             | (0.8)   | BLUE         |
| SHSC 12     | 1.3        | (33.0) | 100       | (45.4)  | 78             | (1.4)   | ORANGE       |
| SHSC 13     | 1.2        | (30.4) | 165       | (74.9)  | 133            | (2.3)   | BROWN        |
| SHSC 14     | 1.0        | (25.4) | 260       | (118.0) | 263            | (4.7)   | BLACK        |
| SHSC 16     | 0.8        | (20.3) | 370       | (167.9) | 493            | (8.8)   | YELLOW       |
| SHSC 17     | 0.5        | (12.7) | 450       | (204.3) | 900            | (16.1)  | RED          |
| SHSC 18     | 0.5        | (12.7) | 700       | (317.8) | 1556           | (27.8)  | GREEN        |
| RSHSC 6     | 1.3        | (33.0) | 21        | (9.5)   | 16             | (0.2)   | BLUE         |
| RSHSC 7     | 1.3        | (33.0) | 39        | (17.7)  | 30             | (0.5)   | BLACK        |
| RSHSC 8     | 1.1        | (27.9) | 50        | (22.7)  | 46             | (0.8)   | RED          |
| RSHSC 9     | 1.0        | (25.4) | 80        | (36.3)  | 80             | (1.4)   | GREEN        |
| RSHSC 10    | 1.0        | (25.4) | 105       | (47.6)  | 105            | (1.8)   | GRAY         |
| RSHSC 11    | 1.3        | (45.7) | 60        | (27.2)  | 46             | (0.8)   | BLUE         |
| RSHSC 12    | 1.8        | (45.7) | 100       | (45.4)  | 78             | (1.4)   | ORANGE       |
| RSHSC 13    | 1.7        | (43.1) | 165       | (74.9)  | 133            | (2.3)   | BROWN        |
| RSHSC 14    | 1.5        | (38.1) | 260       | (118.0) | 263            | (4.7)   | BLACK        |
| RSHSC 16    | 1.3        | (33.0) | 370       | (167.9) | 493            | (8.8)   | YELLOW       |
| RSHSC 17    | 1.0        | (25.4) | 450       | (204.3) | 900            | (16.1)  | RED          |
| RSHSC 18    | 1.0        | (25.4) | 700       | (317.8) | 1556           | (27.8)  | GREEN        |



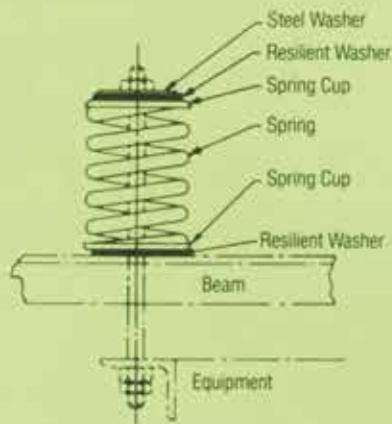
# SERIES KDX

1" & 1½" deflection

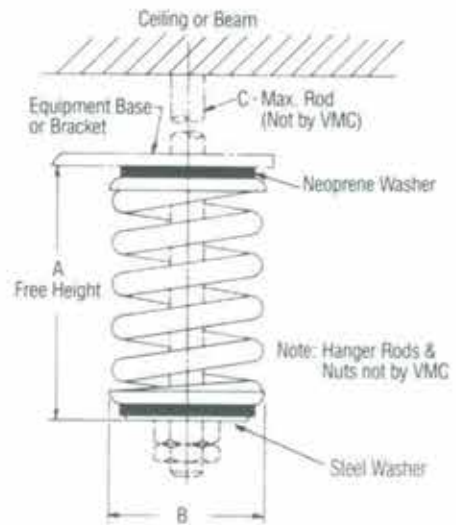


Dimensions: in. (mm)

| TYPE & SIZE        | DEFLECTION     |                |               |
|--------------------|----------------|----------------|---------------|
|                    | A              | B              | C             |
| KDXS 6 thru 10     | 3" (76.2)      | 1 1/16" (42.8) | 1/2" (12.7)   |
| KDXS 11 thru 16    | 3 1/4" (82.8)  | 2 1/16" (55.6) | 1/2" (12.7)   |
| KDX 19 thru 32     | 4 1/2" (117.6) | 2 1/16" (55.6) | 1/2" (12.7)   |
| KDXW 200 thru 1628 | 4 1/2" (117.6) | 3 1/2" (92.2)  | 1 1/2" (38.1) |
| KDXM 100 thru 109  | 6 1/4" (155.7) | 3 1/2" (92.2)  | 1 1/2" (38.1) |



Alternative Mounting Arrangement



| TYPE & SIZE | DEFLECTION |        | MAX. LOAD |          | SPRING CONSTR. |         | SPRING COLOR |
|-------------|------------|--------|-----------|----------|----------------|---------|--------------|
|             | in.        | (mm)   | lbs.      | (kg)     | lbs./in.       | (kg/mm) |              |
| KDXS 6      | 1.3        | (33.0) | 21        | (9.5)    | 16             | (0.7)   | BLUE         |
| KDXS 7      | 1.3        | (33.0) | 39        | (17.7)   | 30             | (0.5)   | BLACK        |
| KDXS 8      | 1.1        | (27.9) | 50        | (22.7)   | 46             | (0.8)   | RED          |
| KDXS 9      | 1.0        | (25.4) | 80        | (36.3)   | 80             | (1.4)   | GREEN        |
| KDXS 10     | 1.0        | (25.4) | 105       | (47.6)   | 105            | (1.8)   | GRAY         |
| KDXS 11     | 1.3        | (33.0) | 60        | (27.2)   | 46             | (0.8)   | BLUE         |
| KDXS 12     | 1.3        | (33.0) | 100       | (45.4)   | 78             | (1.4)   | ORANGE       |
| KDXS 13     | 1.2        | (30.4) | 165       | (74.9)   | 133            | (2.3)   | BROWN        |
| KDXS 14     | 1.0        | (25.4) | 260       | (118.0)  | 263            | (4.7)   | BLACK        |
| KDXS 16     | 0.8        | (20.3) | 378       | (167.8)  | 493            | (8.8)   | YELLOW       |
| KDXS 17     | 0.5        | (12.7) | 450       | (204.3)  | 900            | (16.1)  | RED          |
| KDXS 18     | 0.5        | (12.7) | 700       | (317.8)  | 1556           | (27.8)  | GREEN        |
| KDX 19      | 1.4        | (35.5) | 85        | (38.5)   | 62.5           | (1.1)   | PINK         |
| KDX 21      | 1.3        | (33.0) | 115       | (52.2)   | 87             | (1.5)   | BLACK        |
| KDX 22      | 1.3        | (33.0) | 170       | (77.1)   | 133            | (2.3)   | BLUE         |
| KDX 23      | 1.3        | (33.0) | 225       | (102.1)  | 179            | (3.2)   | YELLOW       |
| KDX 24      | 1.2        | (30.4) | 325       | (147.5)  | 264            | (4.7)   | BROWN        |
| KDX 25      | 1.2        | (30.4) | 450       | (204.3)  | 366            | (6.5)   | RED          |
| KDX 26      | 1.2        | (30.4) | 600       | (272.4)  | 513            | (9.1)   | PURPLE       |
| KDX 27      | 1.1        | (27.9) | 750       | (340.5)  | 707            | (12.8)  | ORANGE       |
| KDX 28      | 1.0        | (25.4) | 900       | (408.6)  | 881            | (15.7)  | GREEN        |
| KDX 31      | 0.8        | (20.3) | 1100      | (499.4)  | 1327           | (23.7)  | GRAY         |
| KDX 32      | 0.8        | (20.3) | 1300      | (590.2)  | 1758           | (31.4)  | WHITE        |
| KDXW 200    | 1.3        | (33.0) | 125       | (56.7)   | 100            | (1.7)   | BLUE         |
| KDXW 400    | 1.3        | (33.0) | 400       | (181.5)  | 303            | (5.4)   | BLACK        |
| KDXW 600    | 1.0        | (25.4) | 700       | (317.8)  | 620            | (11.0)  | RED          |
| KDXW 1000   | 1.0        | (25.4) | 1060      | (481.2)  | 952            | (17.0)  | GREEN        |
| KDXW 1300   | 1.0        | (25.4) | 1300      | (590.2)  | 1300           | (23.2)  | YELLOW       |
| KDXW 1600   | 1.0        | (25.4) | 1600      | (726.4)  | 1600           | (28.8)  | GRAY         |
| KDXW 1625   | 1.0        | (25.4) | 2050      | (930.7)  | 1966           | (35.2)  | GRAY/RED     |
| KDXW 1628   | 1.0        | (25.4) | 2500      | (1135.0) | 2481           | (44.3)  | GRAY/GREEN   |
| KDXM 100    | 1.5        | (38.1) | 100       | (45.4)   | 67             | (1.2)   | BROWN        |
| KDXM 101    | 1.5        | (38.1) | 200       | (90.8)   | 133            | (2.3)   | ORANGE       |
| KDXM 102    | 1.5        | (38.1) | 400       | (181.5)  | 266            | (4.7)   | GREEN        |
| KDXM 103    | 1.5        | (38.1) | 600       | (272.4)  | 400            | (7.1)   | RED          |
| KDXM 104    | 1.5        | (38.1) | 800       | (363.2)  | 533            | (9.5)   | BLACK        |
| KDXM 105    | 1.5        | (38.1) | 1000      | (454.0)  | 666            | (11.8)  | WHITE        |
| KDXM 106    | 1.5        | (38.1) | 1250      | (567.5)  | 833            | (14.9)  | GRAY         |
| KDXM 107    | 1.5        | (38.1) | 1500      | (681.0)  | 1000           | (17.8)  | BLUE         |
| KDXM 108    | 1.5        | (38.1) | 1750      | (794.5)  | 1166           | (20.8)  | YELLOW       |
| KDXM 109    | 1.5        | (38.1) | 2000      | (908.0)  | 1333           | (23.8)  | PINK         |

# Spring-Flex Hangers Selection Guide

## Notes:

1. Hanger selections are based on fire code hanger rod sizes and are based on maximum hanger spacing without allowances for valves, strainers, etc. Larger capacity hangers must be used at these locations.
2. If hanger spacing is different than maximum spacing, use weight/foot x actual spacing and select hangers accordingly.

3. Two hangers required for trapeze hung pipe.

$$\text{Example: } \frac{\text{Total Weight}}{2} = \text{Load per hanger}$$

4. Selections for Series SHP and RSHP, use same sizes as Series SH and RSH respectively.

## WATER PIPE SINGLE ROD HANGERS

| PIPE SIZE |       | PIPE SCHEDULE NO. | MAX HANGER SPACING |     | WEIGHT/ FOOT PIPE WATER INSUL. |       | TOTAL WEIGHT PIPE WATER INSUL. |        | FIRE CODE MIN. ROD DIA. |      | SERIES SH SIZE NO. | SERIES RSH SIZE NO. |
|-----------|-------|-------------------|--------------------|-----|--------------------------------|-------|--------------------------------|--------|-------------------------|------|--------------------|---------------------|
| ins.      | mm    |                   | ft.                | m   | lbs./ft.                       | kg/m  | lbs.                           | kg     | ins.                    | mm   |                    |                     |
| 1         | 25.4  | 40                | 7                  | 2.1 | 2.8                            | 4.2   | 20                             | 9.0    | 3/8                     | 9.6  | 7                  | 7                   |
| 1 1/4     | 31.7  | 40                | 7                  | 2.1 | 3.8                            | 5.6   | 27                             | 12.2   | 3/8                     | 9.6  | 7                  | 7                   |
| 1 1/2     | 38.1  | 40                | 9                  | 2.7 | 4.5                            | 6.6   | 41                             | 18.5   | 3/8                     | 9.6  | 8                  | 8                   |
| 2         | 50.8  | 40                | 10                 | 3.0 | 6.2                            | 9.2   | 62                             | 28.1   | 3/8                     | 9.6  | 9                  | 9                   |
| 2 1/4     | 63.5  | 40                | 11                 | 3.3 | 9.1                            | 13.5  | 100                            | 45.3   | 1/2                     | 12.7 | 12                 | 12                  |
| 3         | 76.2  | 40                | 12                 | 3.6 | 12.1                           | 18.0  | 145                            | 65.7   | 1/2                     | 12.7 | 13                 | 13                  |
| 4         | 101.6 | 40                | 14                 | 4.2 | 18.3                           | 27.2  | 256                            | 116.1  | 1/2                     | 16.0 | 14                 | 14                  |
| 5         | 127.0 | 40                | 16                 | 4.8 | 26.6                           | 39.5  | 426                            | 193.2  | 1/2                     | 16.0 | 17                 | 17                  |
| 6         | 152.4 | 40                | 17                 | 5.1 | 34.8                           | 51.7  | 592                            | 268.5  | 3/4                     | 19.0 | 26                 | 26                  |
| 8         | 203.2 | 40                | 19                 | 5.7 | 55.1                           | 82.0  | 1047                           | 475.0  | 3/4                     | 22.4 | 1000               | 1000                |
| 10        | 254.0 | 40                | 22                 | 6.7 | 80.2                           | 119.3 | 1764                           | 800.1  | 3/4                     | 22.4 | 1625               | 1625                |
| 12        | 304.8 | 40                | 23                 | 7.0 | 109.0                          | 162.2 | 2507                           | 1137.1 | 3/4                     | 22.4 | 1628               | 1628                |
| 14        | 355.6 | 30                | 25                 | 7.6 | 122.0                          | 181.5 | 3050                           | 1383.4 | 1                       | 25.4 | 1600.2             | 1600.2              |
| 16        | 406.4 | 30                | 27                 | 8.2 | 150.0                          | 223.2 | 4050                           | 1837.0 | 1                       | 25.4 | 1625.2             | 1625.2              |
| 18        | 457.2 | 30                | 28                 | 8.5 | 190.0                          | 282.7 | 5320                           | 2413.1 | 1 1/4                   | 28.6 | 1628.2             | 1628.2              |

## STEAM PIPE SINGLE ROD HANGERS

| PIPE SIZE |       | PIPE SCHEDULE NO. | MAX HANGER SPACING |     | WEIGHT/ FOOT PIPE WATER INSUL. |       | TOTAL WEIGHT PIPE WATER INSUL. |        | FIRE CODE MIN. ROD DIA. |      | SERIES SH SIZE NO. | SERIES RSH SIZE NO. |
|-----------|-------|-------------------|--------------------|-----|--------------------------------|-------|--------------------------------|--------|-------------------------|------|--------------------|---------------------|
| ins.      | mm    |                   | ft.                | m   | lbs./ft.                       | kg/m  | lbs.                           | kg     | ins.                    | mm   |                    |                     |
| 1         | 25.4  | 40                | 7                  | 2.1 | 2.9                            | 4.3   | 20                             | 9.0    | 3/8                     | 9.6  | 7                  | 7                   |
| 1 1/4     | 31.7  | 40                | 7                  | 2.1 | 3.8                            | 5.6   | 27                             | 12.2   | 3/8                     | 9.6  | 7                  | 7                   |
| 1 1/2     | 38.1  | 40                | 9                  | 2.7 | 4.5                            | 6.6   | 41                             | 18.5   | 3/8                     | 9.6  | 8                  | 8                   |
| 2         | 50.8  | 40                | 10                 | 3.0 | 5.7                            | 8.4   | 57                             | 25.8   | 3/8                     | 9.6  | 9                  | 9                   |
| 2 1/4     | 63.5  | 40                | 11                 | 3.3 | 8.1                            | 12.0  | 89                             | 40.3   | 1/2                     | 12.7 | 12                 | 12                  |
| 3         | 76.2  | 40                | 12                 | 3.6 | 9.7                            | 14.4  | 116                            | 52.6   | 1/2                     | 12.7 | 13                 | 13                  |
| 4         | 101.6 | 40                | 14                 | 4.2 | 13.8                           | 20.5  | 193                            | 87.5   | 1/2                     | 16.0 | 14                 | 14                  |
| 5         | 127.0 | 40                | 16                 | 4.8 | 18.0                           | 26.7  | 288                            | 130.6  | 1/2                     | 16.0 | 16                 | 16                  |
| 6         | 152.4 | 40                | 17                 | 5.1 | 23.6                           | 35.1  | 401                            | 181.8  | 3/4                     | 19.0 | 25                 | 25                  |
| 8         | 203.2 | 40                | 19                 | 5.7 | 34.6                           | 51.4  | 657                            | 298.0  | 3/4                     | 22.4 | 600                | 600                 |
| 10        | 254.0 | 40                | 22                 | 6.7 | 48.2                           | 71.7  | 1060                           | 480.8  | 3/4                     | 22.4 | 1000               | 1000                |
| 12        | 304.8 | 40                | 23                 | 7.0 | 62.1                           | 92.4  | 1428                           | 647.7  | 3/4                     | 22.4 | 1600               | 1600                |
| 14        | 355.6 | 30                | 25                 | 7.6 | 83.4                           | 94.3  | 1585                           | 718.9  | 1                       | 25.4 | 1600               | 1600                |
| 16        | 406.4 | 30                | 27                 | 8.2 | 72.3                           | 107.5 | 1952                           | 885.4  | 1                       | 25.4 | 1625               | 1625                |
| 18        | 457.2 | 30                | 28                 | 8.5 | 92.4                           | 137.5 | 2587                           | 1173.4 | 1 1/4                   | 28.6 | 1628               | 1628                |

## WATER PIPE DOUBLE ROD HANGERS (TRAPEZE)

| PIPE SIZE |       | PIPE SCHEDULE NO. | MAX HANGER SPACING |     | WEIGHT/ FOOT PIPE WATER INSUL. |       | TOTAL WEIGHT PIPE WATER INSUL. |        | FIRE CODE MIN. ROD DIA. |      | SERIES SH SIZE NO. | SERIES RSH SIZE NO. |
|-----------|-------|-------------------|--------------------|-----|--------------------------------|-------|--------------------------------|--------|-------------------------|------|--------------------|---------------------|
| ins.      | mm    |                   | ft.                | m   | lbs./ft.                       | kg/m  | lbs.                           | kg     | ins.                    | mm   |                    |                     |
| 12        | 304.8 | 40                | 23                 | 7.0 | 109                            | 162.2 | 2507                           | 1137.1 | 3/4                     | 19.0 | 1300               | 1300                |
| 14        | 355.6 | 30                | 25                 | 7.6 | 122                            | 181.5 | 3050                           | 1383.4 | 3/4                     | 19.0 | 1600               | 1600                |
| 16        | 406.4 | 30                | 27                 | 8.2 | 150                            | 223.2 | 4050                           | 1837.0 | 3/4                     | 19.0 | 1625               | 1625                |
| 18        | 457.2 | 30                | 28                 | 8.5 | 190                            | 282.7 | 5320                           | 2413.1 | 3/4                     | 22.4 | 1600.2             | 1600.2              |
| 20        | 508.0 | 20                | 30                 | 9.1 | 214                            | 319.4 | 6420                           | 2912.1 | 1                       | 25.4 | 1600.2             | 1600.2              |
| 24        | 609.6 | 20                | 32                 | 9.7 | 289                            | 430.0 | 9248                           | 4194.8 | 1 1/4                   | 28.6 | 1628.2             | 1628.2              |

## STEAM PIPE DOUBLE ROD HANGERS (TRAPEZE)

| PIPE SIZE |       | PIPE SCHEDULE NO. | MAX HANGER SPACING |     | WEIGHT/ FOOT PIPE WATER INSUL. |       | TOTAL WEIGHT PIPE WATER INSUL. |        | FIRE CODE MIN. ROD DIA. |      | SERIES SH SIZE NO. | SERIES RSH SIZE NO. |
|-----------|-------|-------------------|--------------------|-----|--------------------------------|-------|--------------------------------|--------|-------------------------|------|--------------------|---------------------|
| ins.      | mm    |                   | ft.                | m   | lbs./ft.                       | kg/m  | lbs.                           | kg     | ins.                    | mm   |                    |                     |
| 12        | 304.8 | 40                | 23                 | 7.0 | 62.1                           | 92.4  | 1428                           | 647.7  | 3/4                     | 19.0 | 27                 | 27                  |
| 14        | 355.6 | 30                | 25                 | 7.6 | 63.4                           | 94.3  | 1585                           | 718.9  | 3/4                     | 19.0 | 28                 | 28                  |
| 16        | 406.4 | 30                | 27                 | 8.2 | 72.3                           | 107.5 | 1952                           | 885.4  | 3/4                     | 19.0 | 1000               | 1000                |
| 18        | 457.2 | 30                | 28                 | 8.5 | 92.4                           | 137.5 | 2587                           | 1173.4 | 3/4                     | 22.4 | 1300               | 1300                |
| 20        | 508.0 | 20                | 30                 | 9.1 | 90.6                           | 134.8 | 2718                           | 1232.8 | 1                       | 25.4 | 1600               | 1600                |
| 24        | 609.6 | 20                | 32                 | 9.7 | 108.0                          | 160.7 | 3456                           | 1567.6 | 1 1/4                   | 28.6 | 1625               | 1625                |

## HOW TO SPECIFY — SERIES "RSH"

All suspended piping and duct connected to rotating equipment shall be resiliently suspended using Series "RSH Spring-Flex" hangers. The hangers shall incorporate a steel spring in series with a neoprene element designed for an average static deflection of one inch. The first three hangers from rotating equipment and all piping 6 inch and larger shall be suspended using Series "RSHP Positioning" hangers designed to maintain piping at a fixed elevation during installation. These hangers shall also incorporate a load transfer device to transfer the load to the steel spring after installation. Spring-Flex hangers shall be as manufactured by Vibration Mountings and Controls, Inc., Bloomingdale, N.J. 07403.

## HOW TO SPECIFY — SERIES "SH"

All suspended piping and duct connected to rotating equipment shall be resiliently suspended using Series "SH Spring-Flex" hangers. The hangers shall incorporate a steel spring designed for an average static deflection of one inch. The first three hangers from rotating equipment and all piping 6 inch and larger shall be suspended using Series "SHP Positioning" hangers designed to maintain piping at a fixed elevation during installation. These hangers shall also incorporate a load transfer device to transfer the load to the steel spring after installation. Spring-Flex hangers shall be as manufactured by Vibration Mountings and Controls, Inc., Bloomingdale, N.J. 07403.

**VME KORFUND**  
DYNAMICS

## The Vibration Control People...



Vibration Mountings & Controls Inc.'s ongoing product development, marketing and distribution prowess has made us a world-wide leader in the design and fabrication of vibration isolation components and damping materials used in the heating, ventilating, air conditioning, petrochemical, chemical, manufacturing, utility, construction and transportation industries.

Computer supported engineering and the sophisticated skills of the VMC craftsmen continue to insure correctly designed and accurately manufactured product reliability for the vibration isolation of heating, ventilating and air conditioning pumps, fans and compressors, heavy rotating machinery, diesel engines and railroad, off-highway and military vehicles.

**VME KORFUND**  
DYNAMICS

**Vibration Mountings & Controls, Inc.**

An Aeroflex, Inc. Company

Emtec Products Ltd., Unit L, Turnpike Way, High Wycombe, HP12 3TF  
Tel: 020 8848 3031 [www.emtecproducts.co.uk](http://www.emtecproducts.co.uk)

Data sheets are issued in all good faith and the information given is current at the time of printing. EMTEC reserves the right to alter, amend or withdraw products as and when necessary. All rights to the products described in this data sheet are reserved to EMTEC.

**EMTEC**