



Bulletin No. A/U-97 (UK)

Spring-Flex Mountings

Series A/U



High Efficiency Vibration Control

Static Deflection to 5" (127.0 mm)

Built-in Leveling Device

Quickly and Easily Installed

Typical Applications

Air Handling Units Fans Pumps

Heating & Ventilating Units



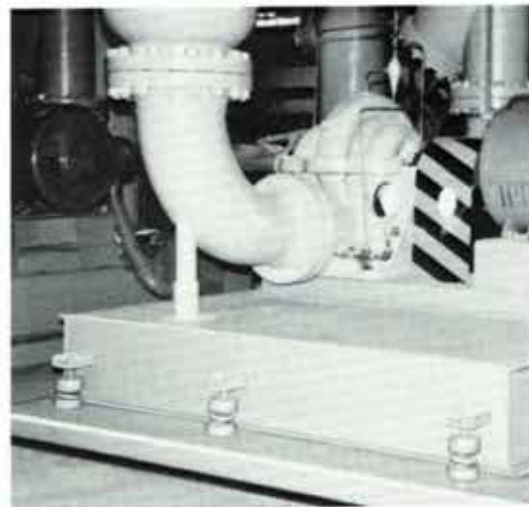
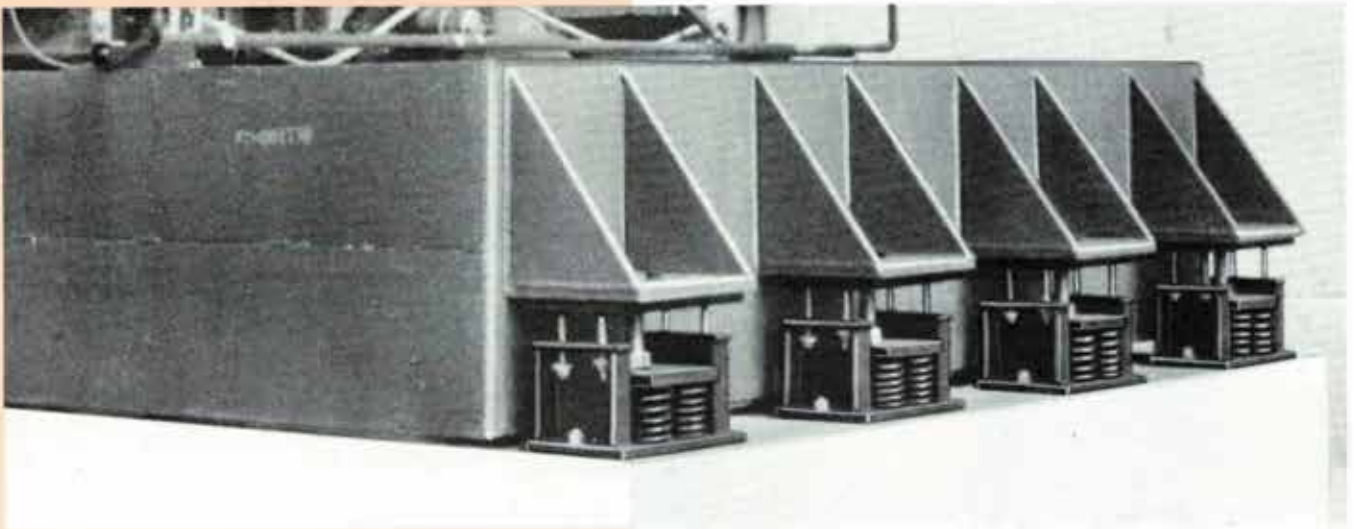


Spring-Flex Mountings Series A

VMC Series A Spring-Flex mountings are free standing and laterally stable spring mountings. The coils are designed with an excellent ratio between the coil O.D. and operating height insuring lateral stability. In all our designs, this ratio is a minimum of 0.80 and many have approximately a 1 to 1 ratio. In addition, our coils are designed to low and/or safe operating stresses thus insuring a long operating life of the mounting. You will also notice that the designs presented in this catalog are a "weldless construction," meaning that the spring coils are not welded to steel plates. They are assembled to neoprene acoustical cups or steel castings with 1/4" thick neoprene acoustical friction pads.

When welding springs to steel plates, you introduce the possibility of hydrogen embrittlement and excessive stress build-up at the weld areas resulting in possible failure of the spring.

While the mountings presented in this catalog are most frequently specified and ordered, larger capacity mountings are available. Please contact your VMC representative in the United Kingdom - Emtec Products Ltd - for further assistance.



Series AC, ACB and AWHC

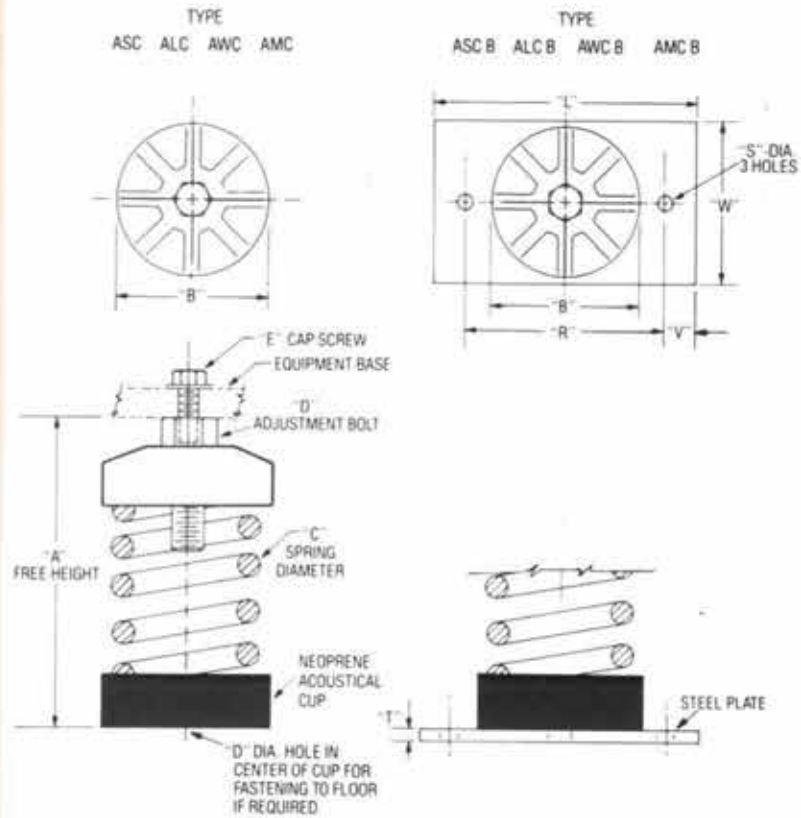
Spring-Flex mountings are designed for high isolation efficiency with static deflections to 5" (127 mm). They are recommended for use directly under most HVAC equipment and in conjunction with structural steel bases and concrete inertia blocks.

TYPE AC/ACB 1" & 1 1/2" DEFLECTION



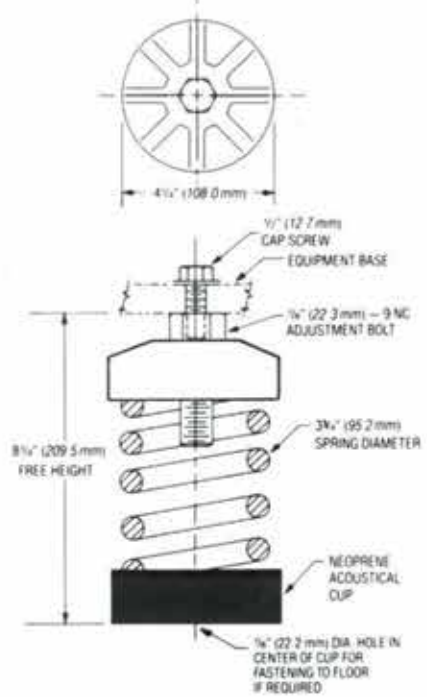
Dimensions: in. (mm)

	A	B	C	D	E	
ASC & ASC B	4 1/2"	2 3/4"	2"	3/8"	3/8"	
	(114.3)	(60.3)	(50.8)	(16.0)	(9.5)	
	L	W	T	R	S	V
ALC & ALC B	4 1/2"	2 1/2"	3/8"	3 1/2"	7/16"	1/2"
	(114.3)	(63.5)	(3.18)	(89.0)	(11.2)	(12.7)
	L	W	T	R	S	V
AWC & AWC B	6 1/4"	3 3/4"	3 1/4"	3/8"	1/2"	
	(158.7)	(95.2)	(82.5)	(22.2)	(12.7)	
	L	W	T	R	S	V
AMC & AMC B	6 1/4"	4"	1/4"	5"	5/16"	3/8"
	(158.7)	(101.6)	(6.3)	(127.0)	(14.4)	(16.0)
	L	W	T	R	S	V
AMC & AMC B	7 1/4"	3 1/4"	3 1/4"	3/8"	1/2"	
	(196.8)	(85.2)	(82.5)	(22.2)	(12.7)	
	L	W	T	R	S	V
AMC & AMC B	6 1/4"	4"	1/4"	5"	5/16"	3/8"
	(158.7)	(101.6)	(6.3)	(127.0)	(14.4)	(16.0)
	L	W	T	R	S	V

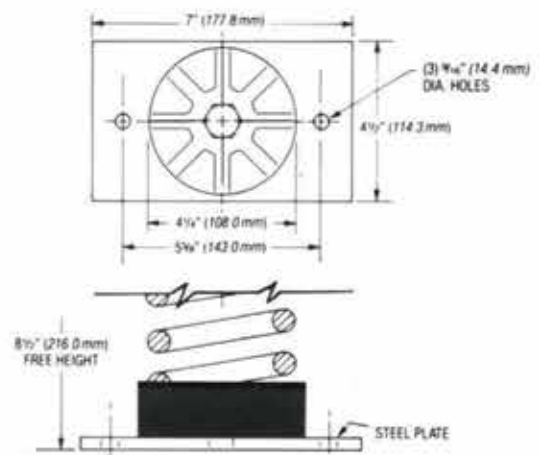


TYPE & SIZE	DEFLECTION		MAX LOAD		SPRING COLOR	
	in.	(mm)	lbs.	(kg)	OUTER	INNER
ASC 11	1.3	(33.0)	60	(27.0)	BLUE	-
ASC 12	1.3	(33.0)	100	(45.0)	ORANGE	-
ASC 13	1.2	(30.5)	165	(74.2)	BROWN	-
ASC 14	1.0	(25.4)	260	(117.0)	BLACK	-
ASC 16	0.8	(20.3)	370	(166.5)	YELLOW	-
ASC 17	0.5	(12.7)	450	(202.5)	RED	-
ASC 18	0.5	(12.7)	700	(315.0)	GREEN	-
ALC 92	1.3	(33.0)	125	(56.2)	BROWN	-
ALC 93	1.3	(33.0)	225	(101.2)	ORANGE	-
ALC 94	1.2	(30.5)	325	(146.2)	GREEN	-
ALC 95	1.2	(30.5)	450	(202.5)	RED	-
ALC 96	1.2	(30.5)	600	(270.0)	BLACK	-
ALC 97	1.1	(28.0)	750	(337.5)	WHITE	-
ALC 98	1.0	(25.4)	900	(405.0)	GRAY	-
ALC 99	1.0	(25.4)	1200	(545.5)	BLUE	-
AWC 200	1.3	(33.0)	125	(56.2)	BLUE	-
AWC 400	1.3	(33.0)	400	(180.0)	BLACK	-
AWC 600	1.1	(28.0)	700	(315.0)	RED	-
AWC 1000	1.1	(28.0)	1060	(477.0)	GREEN	-
AWC 1300	1.0	(25.4)	1300	(590.2)	YELLOW	-
AWC 1600	1.0	(25.4)	1600	(720.0)	GRAY	-
AWC 1625	1.0	(25.4)	2050	(930.7)	GRAY	RED
AWC 1628	1.0	(25.4)	2500	(1125.0)	GRAY	GREEN
AMC 100	1.50	(38.0)	100	(45.0)	BROWN	-
AMC 101	1.50	(38.0)	200	(90.0)	ORANGE	-
AMC 102	1.50	(38.0)	400	(180.0)	GREEN	-
AMC 103	1.50	(38.0)	600	(270.0)	RED	-
AMC 104	1.50	(38.0)	800	(360.0)	BLACK	-
AMC 105	1.50	(38.0)	1000	(450.0)	WHITE	-
AMC 106	1.50	(38.0)	1250	(562.5)	GRAY	-
AMC 107	1.50	(38.0)	1500	(675.0)	BLUE	-
AMC 108	1.50	(38.0)	1750	(787.5)	YELLOW	-
AMC 109	1.50	(38.0)	2000	(900.0)	PINK	-

TYPE ADC/ADCB 2" DEFLECTION



TYPE & SIZE	DEFLECTION		MAX LOAD		SPRING COLOR
	in.	(mm)	lbs.	(kg)	
ADC-50	2.00	(50.8)	150	(67.5)	BLUE
ADC-51	2.00	(50.8)	276	(124.2)	BLACK
ADC-510	2.00	(50.8)	426	(191.7)	BLACK/BLUE
ADC-52	2.00	(50.8)	500	(225.0)	RED
ADC-520	2.00	(50.8)	650	(292.5)	RED/BLUE
ADC-521	2.00	(50.8)	776	(349.2)	RED/BLACK
ADC-53	2.00	(50.8)	1000	(450.0)	GREEN
ADC-530	2.00	(50.8)	1150	(517.5)	GREEN/BLUE
ADC-531	2.00	(50.8)	1276	(574.2)	GREEN/BLACK
ADC-532	2.00	(50.8)	1500	(675.0)	GREEN/RED
ADC-551	2.00	(50.8)	1676	(754.2)	GRAY/BLACK
ADC-552	2.00	(50.8)	1900	(855.0)	GRAY/RED
ADC-553	2.00	(50.8)	2200	(990.0)	GRAY/GREEN

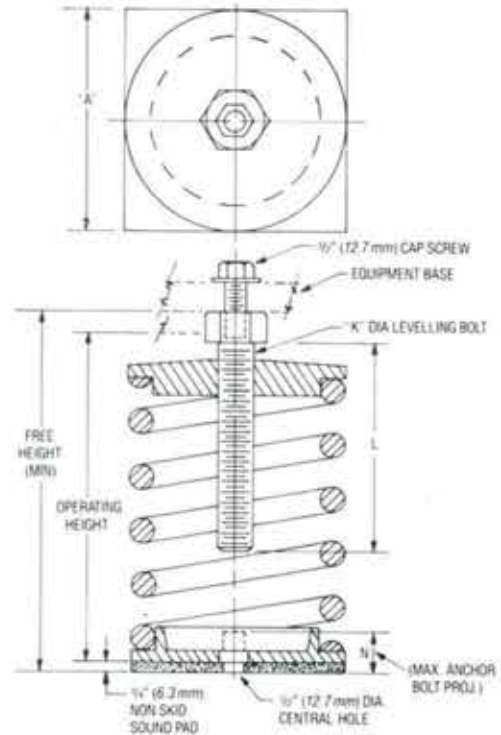


TYPE & SIZE	DEFLECTION		MAX LOAD		SPRING COLOR
	in.	(mm)	lbs.	(kg)	
ADCB-50	2.00	(50.8)	150	(67.5)	BLUE
ADCB-51	2.00	(50.8)	276	(124.2)	BLACK
ADCB-510	2.00	(50.8)	426	(191.7)	BLACK/BLUE
ADCB-52	2.00	(50.8)	500	(225.0)	RED
ADCB-520	2.00	(50.8)	650	(292.5)	RED/BLUE
ADCB-521	2.00	(50.8)	776	(349.2)	RED/BLACK
ADCB-53	2.00	(50.8)	1000	(450.0)	GREEN
ADCB-530	2.00	(50.8)	1150	(517.5)	GREEN/BLUE
ADCB-531	2.00	(50.8)	1276	(574.2)	GREEN/BLACK
ADCB-532	2.00	(50.8)	1500	(675.0)	GREEN/RED
ADCB-551	2.00	(50.8)	1676	(754.2)	GRAY/BLACK
ADCB-552	2.00	(50.8)	1900	(855.0)	GRAY/RED
ADCB-553	2.00	(50.8)	2200	(990.0)	GRAY/GREEN

TYPE AWHC 3" & 5" DEFLECTION



(AWHC)



Dimensions: in. (mm)

TYPE & SIZE	A	K	L	N
AWHC 801	4" (101.6)	3/4" (19.0)	4 1/2" (114.3)	1 1/4" (31.7)
AWHC 802				
AWHC 803				
AWHC 804				
AWHC 805				
AWHC 806	5 1/2" (139.7)	3/4" (22.2)	6 1/2" (165.0)	1 1/2" (38.0)
AWHC 807				
AWHC 808				
AWHC 809				
AWHC 810				
AWHC 811				
AWHC 821	5 1/2" (139.7)	3/4" (22.2)	6 1/2" (165.0)	1 1/2" (38.0)
AWHC 822				
AWHC 823				
AWHC 824				
AWHC 825				
AWHC 826				
AWHC 827	7" (177.8)	1" (25.4)	5" (127.0)	1 1/2" (38.0)
AWHC 828				
AWHC 829				
AWHC 830				
AWHC 831				
AWHC 832				
AWHC 833				

AWHC-2.1" (53.3 mm) TO 3" (76.2 mm) DEFLECTION MOUNTINGS

TYPE & SIZE	MAX LOAD lbs (kg) 3" (76.2 mm) DEFL.	FREE HT. in. (mm)	OPER. HT. in. (mm)	SPRING COLOR
AWHC 801	75 (34.0)	8 1/2" (216.0)	6 1/4" (171.4)	GRAY
AWHC 802	112 (50.8)			PINK
AWHC 803	168 (76.2)			BROWN
AWHC 804	253 (114.8)			BLUE
AWHC 805	380 (172.5)			RED
AWHC 806	570 (258.7)	10" (254.0)	8 1/4" (222.2)	WHITE
AWHC 807	855 (388.0)	10 1/8" (276.2)	8 1/4" (225.4)	GREEN
AWHC 808	1280 (581.0)			BLACK
AWHC 809	1920 (871.6)			YELLOW
AWHC 810	2880 (1307.5)			PURPLE
AWHC 811	3680 (1670.7)			PURPLE/ORANGE

AWHC-3.1" (78.7 mm) TO 5" (127.0 mm) DEFLECTION MOUNTINGS

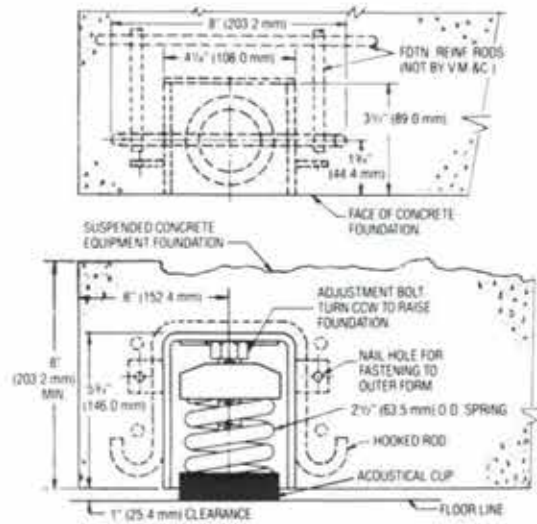
TYPE & SIZE	MAX LOAD lbs (kg) 5" (127.0 mm) DEFL.	FREE HT. in. (mm)	OPER. HT. in. (mm)	SPRING COLOR
AWHC 821	120 (54.5)	11" (279.4)	8 3/4" (222.2)	ORANGE
AWHC 822	160 (72.6)			GRAY
AWHC 823	214 (97.0)			PINK
AWHC 824	285 (129.3)	11 1/4" (298.4)		BROWN
AWHC 825	380 (172.5)	13" (330.2)		BLUE
AWHC 826	510 (231.5)		RED	
AWHC 827	678 (307.8)		10" (254.0)	WHITE
AWHC 828	904 (410.4)		13 1/2" (343.0)	GREEN
AWHC 829	1200 (544.8)		14" (355.6)	10 1/2" (273.0)
AWHC 830	1610 (731.0)	YELLOW		
AWHC 831	2150 (976.0)	11" (279.4)		PURPLE
AWHC 832	2870 (1303.0)	ORANGE		
AWHC 833	3670 (1666.0)	ORANGE/ORANGE		

Series U

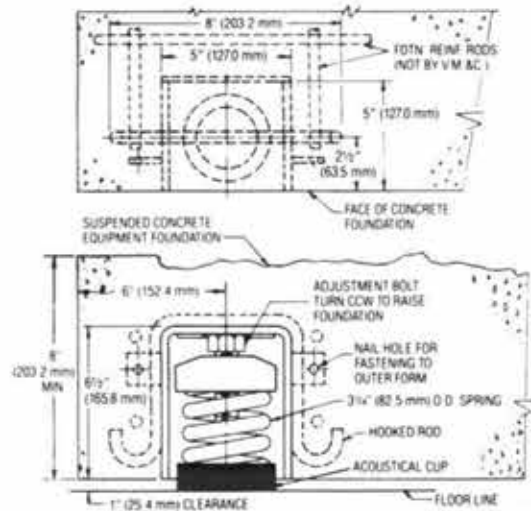
Spring-Flex mountings are similar to the series A but are furnished with a flush concrete insert housing to facilitate installation within a concrete inertia block.

The housing is positioned and nailed to existing wood framing which forms side pockets after the concrete is poured for easy insertion of the spring mountings. Series U Spring-Flex mountings provide static deflections up to 2" (50.8 mm) and loads to 2500 pounds (1135.0 Kg).

TYPE UL/UW 1" DEFLECTION



TYPE & SIZE	DEFLECTION		MAX LOAD		SPRING COLOR
	in.	(mm)	lbs.	(kg)	
UL92	1.3	(33.0)	125	(56.7)	BROWN
UL93	1.3	(33.0)	225	(102.0)	ORANGE
UL94	1.2	(30.4)	325	(147.5)	GREEN
UL95	1.2	(30.4)	450	(204.3)	RED
UL96	1.2	(30.4)	600	(272.4)	BLACK
UL97	1.1	(28.0)	750	(340.5)	WHITE
UL98	1.0	(25.4)	900	(408.5)	GRAY
UL99	1.0	(25.4)	1200	(545.5)	BLUE

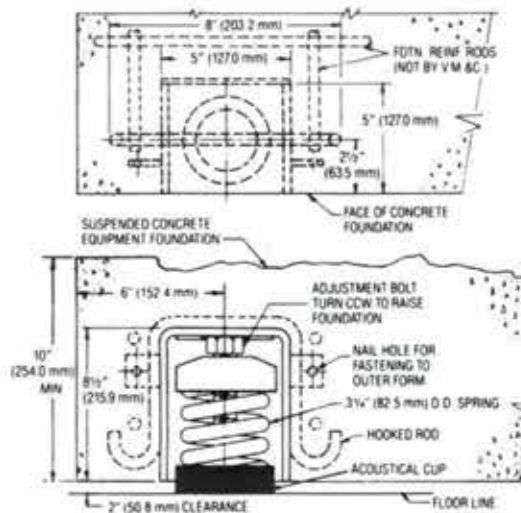


TYPE & SIZE	DEFLECTION		MAX LOAD		SPRING COLOR
	in.	(mm)	lbs.	(kg)	
UW200	1.3	(33.0)	125	(56.2)	BLUE
UW400	1.3	(33.0)	400	(180.0)	BLACK
UW600	1.1	(28.0)	700	(315.0)	RED
UW1000	1.1	(28.0)	1060	(477.0)	GREEN
UW1300	1.0	(25.4)	1300	(590.2)	YELLOW
UW1600	1.0	(25.4)	1600	(720.0)	GRAY
UW1625	1.0	(25.4)	2050	(930.7)	GRAY/RED
UW1628	1.0	(25.4)	2500	(1125.0)	GRAY/GREEN

TYPE UM 1 1/2" DEFLECTION

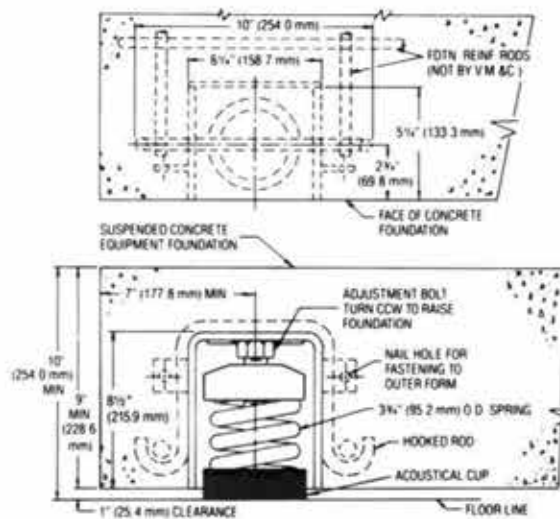


(UM/UD)



TYPE & SIZE	DEFLECTION		MAX LOAD		SPRING COLOR
	in.	(mm)	lbs.	(kg)	
UM-100	1.5	(38.0)	100	(45.4)	BROWN
UM-101	1.5	(38.0)	200	(90.8)	ORANGE
UM-102	1.5	(38.0)	400	(181.6)	GREEN
UM-103	1.5	(38.0)	600	(272.4)	RED
UM-104	1.5	(38.0)	800	(363.2)	BLACK
UM-105	1.5	(38.0)	1000	(454.0)	WHITE
UM-106	1.5	(38.0)	1250	(567.5)	GRAY
UM-107	1.5	(38.0)	1500	(681.0)	BLUE
UM-108	1.5	(38.0)	1750	(794.5)	YELLOW
UM-109	1.5	(38.0)	2000	(908.0)	PINK

TYPE UD 2" DEFLECTION



TYPE & SIZE	DEFLECTION		MAX LOAD		SPRING COLOR
	in.	(mm)	lbs.	(kg)	
UD-50	2.0	(50.8)	150	(68.1)	BLUE
UD-51	2.0	(50.8)	276	(125.3)	BLACK
UD-510	2.0	(50.8)	426	(193.4)	BLACK/BLUE
UD-52	2.0	(50.8)	500	(227.0)	RED
UD-520	2.0	(50.8)	650	(295.1)	RED/BLUE
UD-521	2.0	(50.8)	776	(352.3)	RED/BLACK
UD-53	2.0	(50.8)	1000	(454.0)	GREEN
UD-530	2.0	(50.8)	1150	(522.1)	GREEN/BLUE
UD-531	2.0	(50.8)	1276	(579.3)	GREEN/BLACK
UD-532	2.0	(50.8)	1500	(681.0)	GREEN/RED
UD-551	2.0	(50.8)	1676	(761.0)	GRAY/BLACK
UD-552	2.0	(50.8)	1900	(826.6)	GRAY/RED
UD-553	2.0	(50.8)	2200	(998.8)	GRAY/GREEN

VME KORFUND

The Vibration
Control People...



Vibration Mountings and Controls Inc.'s ongoing product development, marketing and distribution prowess has made us a world-wide leader in the design and fabrication of vibration isolation components and damping materials used in the heating, ventilating, air conditioning, petrochemical, chemical, manufacturing, utility, construction and transportation industries.

Computer supported engineering and the sophisticated skills of the VMC craftsmen continue to insure correctly designed and accurately manufactured product reliability for the vibration isolation of heating, ventilating and air-conditioning pumps, fans and compressors, heavy rotating machinery, diesel engines and railroad, off road and military vehicles.

VME KORFUND

**Vibration Mountings & Controls, Inc.
Korfund Dynamics Company**

Emtec Products Ltd., Unit L, Turnpike Way, High Wycombe, HP12 3TF
Tel: 020 8848 3031 www.emtecproducts.co.uk

Data sheets are issued in all good faith and the information given is current at the time of printing. EMTEC reserves the right to alter, amend or withdraw products as and when necessary. All rights to the products described in this data sheet are reserved to EMTEC.

EMTEC